



RBR-156

ROCK BOLTING RIG





Designed for High-Performance Drilling, Built with Precision.

The Rhino RBR-156 Hydraulic Roof Bolter is engineered with advanced features that maximize productivity, increase uptime, and reduce operating costs in demanding underground mining applications. A high-power drilling system, optimized feed controls, and operator-focused technology enable faster drilling cycles and exceptional efficiency in tunnel development and ground support operations.



1. Automotive-style climate control system with adjustable air vents helps keep windows clear and the cab comfortable.
2. Advanced LCD monitor provides intuitive access to a wide range of operational, drilling, and diagnostic data and functions.
3. Ergonomically designed controls within easy reach deliver smooth, precise operation, reducing operator effort while ensuring reliable performance during drilling activities.

ENGINE AND POWERTRAIN (CARRIER)

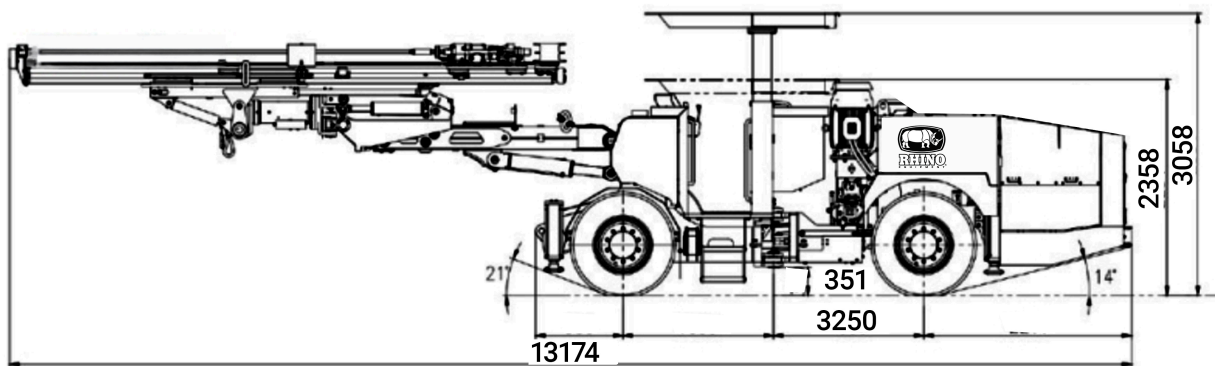
Engine brand	RHINO RBR 71T / Cummins QSF3.8
Engine power kW (HP) @ RPM	71 (95) @ 2200 / 59 (79) @ 2200
Emissions certification	Tier 3 / Stage IIIA
Transmission and steering type	4WD hydrostatic transmission and articulated steering
Exhaust after-treatment system type (DPF / SCR)	Oxidation exhaust purifier and muffler
Axle type	Planetary rigid axles for heavy-duty mining
Maximum gradeability (%)	25% (14°)
Approach angle (°)	21
Departure angle (°)	14
Tires (in)	9.00R20 / 9.00R20
Fuel tank L (gal)	70 (18.49)
Stabilizers	2 front and 2 rear

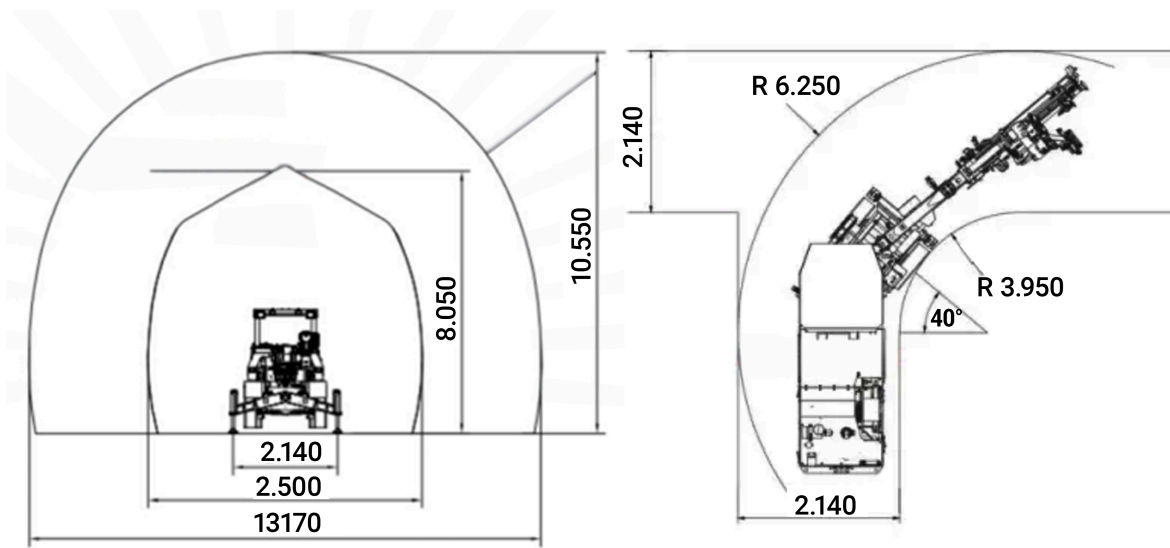
HYDRAULIC SYSTEM

Power unit (Powerpack) kW (HP)	55 (73.76)
Pump type	Direct hydraulic control system
Maximum pressure bar (psi)	230 (3335.87)
Hydraulic tank reservoir / capacity L (gal)	180 (47.55)
Pressure filtration (µm)	10
Hydraulic oil cooler kW (HP)	Water cooler
Hydraulic protection	Low oil level alarm and temperature indicator

DIMENSIONS AND WEIGHT

Total / transport length mm (ft)	13174 (43.22)
Chassis length mm (ft)	6900 (22.64)
Transport width mm (ft)	2140 (7.02)
Width with stabilizers mm (ft)	2500 (8.20)
Transport height mm (ft)	2358 / 3058 (7.74 / 10.03)
Operating height mm (ft)	10550 (34.61)
Wheelbase mm (ft)	3250 (10.66)
Ground clearance mm (in)	351 (13.82)
Inner turning radius mm (ft)	3950 (12.96)
Outer turning radius mm (ft)	6250 (20.51)
Internal / extended vertical coverage mm (ft)	13050 × 10550 (42.81 × 34.61)
Maximum absolute height reach mm (ft)	10550 (34.61)
Minimum chassis structural height mm (ft)	2358 (7.74)
Beam frontal projection in transport mm (ft)	4900 (16.08)
Drilling depth below ground level mm (ft)	1550 (5.09)
Maximum forward horizontal boom reach mm (ft)	8050 (26.41)
Canopy width mm (ft)	1700 (5.58)
Lower horizontal coverage radius mm (ft)	4250 (13.94)
Total operating weight kg (lb)	15600 (34392)





DRIFTER (ROCK DRILL)

Drill model	WOSERLD A22L/D
Impact power kW (HP)	18 (24.13) or 22 (29.50)
Percussion pressure bar (psi)	130 to 180 (1885.49 to 2610.68)
Percussion frequency Hz (bpm)	60 (3600) or 53 (3180)
Rotation speed (rpm)	0 - 300
Rotation torque Nm (lb-ft)	400 to 625 (295.02 to 460.98)
Shank adapter (Shank)	T38
Anti-jamming technology	Classic automatic dual-dampening system
Drill weight kg (lb)	135 (297.62)



Equipment specifications and images may change without notice from Rhino Equipment Group Inc.

BOOM AND FEED BEAM (INCLUDES BOLTING HEAD)

Module / boom model	Telescopic hydraulic boom
Number of booms	1 (Single-boom)
Boom telescopic extension mm (ft)	1500 (4.92)
Boom lateral swing (°)	±35°
Beam rotation / Roll-over (°)	360°
Feed compensation mm (in)	400 (15.75)
Propulsion / feed force kN (lbf)	15 (3372.13)
Number of stingers	1 (Integrated front support stinger)
Drilling diameter mm (in)	43 - 76 (1.69 - 2.99)
Hole depth mm (ft)	3400 / 4000 / 4600 (11.15 / 13.12 / 15.09)
Drill rod length mm (ft)	3700 / 4300 / 4900 (12.13 / 14.11 / 16.07)
Drilling speed m/min (ft/min)	0.8 - 2 (2.62 - 6.56)
Bolt length mm (ft)	Supports bolts up to 9000 (29.52) via optional extension system
Bolt thread pitch / thread type	T38 / R32
Bolt loader capacity (Units)	10 bolts
Compatible bolt types	Vertical bolts, pre-anchoring, grouting and rock anchoring
Full bolting cycle time min (s)	2.5 - 3.5 (150 - 210)
Resin / grout injection system type	Hydraulic injection pump / Cartridge mechanism
Water/air drill flushing system	Yes
Head automation	Optional rod handling system (automatic support)

APPLICATION AND SEGMENT

Drilling type	Development and Rock Bolting (Bolting Rig)
Min. working coverage m × m (ft × ft)	2.3 × 2.3 (7.55 × 7.55)
Max. working coverage m × m (ft × ft)	8.0 × 7.6 (26.25 × 24.93)
Maximum coverage area m ² (ft ²)	60.8 (654.4)
Tunnel design section mm (ft)	2,300 × 2,300 a 8,000 × 7,600 (7.55 × 7.55 a 26.25 × 24.93)
Gallery crossing width mm (ft)	3900 mm (12.79 ft)
Target segment	Underground tunnels and mines

WATER AND AIR SYSTEM

Compressor type	Electrically driven screw type
Compressor power kW (HP)	5.5 (7.38)
Air flow rate m ³ /min (L/s / cfm)	0.50 (8.33 / 17.65)
Air pressure bar (psi)	8 (116.03)
Water pump type	Multi-stage centrifugal pump
Pump power kW (HP)	1.5 (2.01)
Water flow rate L/min (gpm)	45 (11.88)
Maximum water / washdown pressure bar (psi)	15 (217.56)

AUTOMATION AND DIGITAL SYSTEMS

Control system	Classic direct hydraulic
Operation type	Manual assisted
HMI automation	Basic analog-digital control indicators



Equipment specifications and images may change without notice from Rhino Equipment Group Inc.

ELECTRICAL SYSTEM	
Installed power kW (HP)	63.5 (85.15)
Main electric motor kW (HP)	55 (73.76)
Voltage / Frequency V / Hz	Customized
Starting method	Star / Delta
Cable reel / Length m (ft)	60 (196.85)
Electrical insulation monitoring device (Ground Fault)	Yes
Electric battery V (AH)	24 V
CAB, ERGONOMICS AND SAFETY	
Cab / canopy certification (ROPS / FOPS Level II)	FOPS / ROPS certification
Operator seat	Adjustable ergonomic seat
Cab type	Adjustable protective canopy or cover
Roof adjustment range / Max. coverage height mm (ft)	2208 to 3008 (7.24 to 9.86)
Cab noise level dB(A)	≤ 105
Mesh Handler	Optional depending on head configuration
Electrical protection	Thermal shutdown system, overload relays and phase sequence indicator
Fire suppression system / Portable extinguisher	Standard portable extinguisher
Horn (Claxon) and Reverse alarm	Yes
Strobe lights	High-intensity LED lights for transit and drilling
Exhaust catalyst and muffler	Standard catalytic exhaust purifier
Chassis leveling element	Visual spirit level indicator