

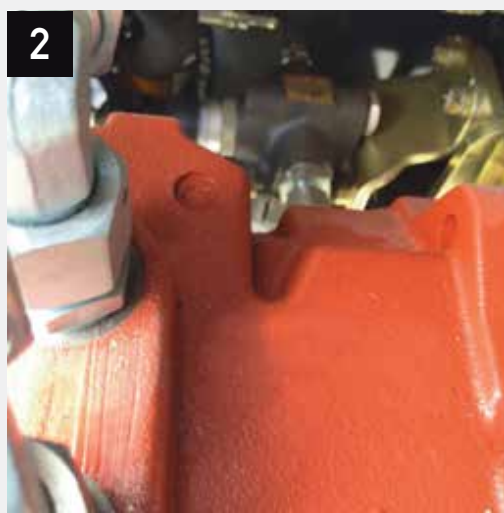


REX30

EXCAVATOR



Unprecedented precision and ease of operation.

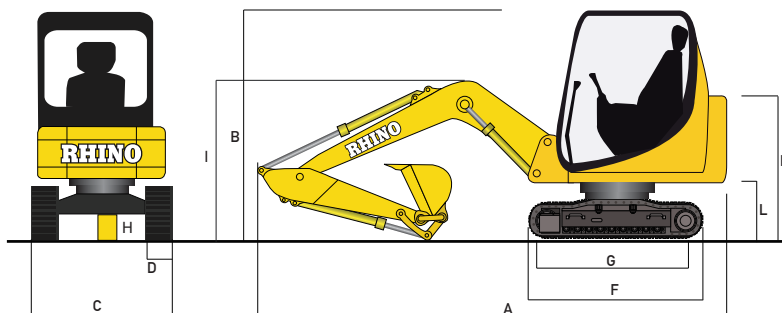


This Rhino excavator is loaded with enhancements that not only increase productivity and uptime, but lower daily operating costs, too. A high-efficiency “on-demand” cooling system, advanced multifunction monitor, and productivity modes to allow you to choose your digging style headline the long list of advances.

1. The standard rubber track lets you work on multiple surfaces such as grass, pavement or stone without damaging the surface or machine.
2. Generous flow, and swing torque help speed cycles. So you can do your best to stay on schedule or ahead of the weather.
3. Reliable and durable Yanmar diesel engine, more efficient with low maintenance costs.

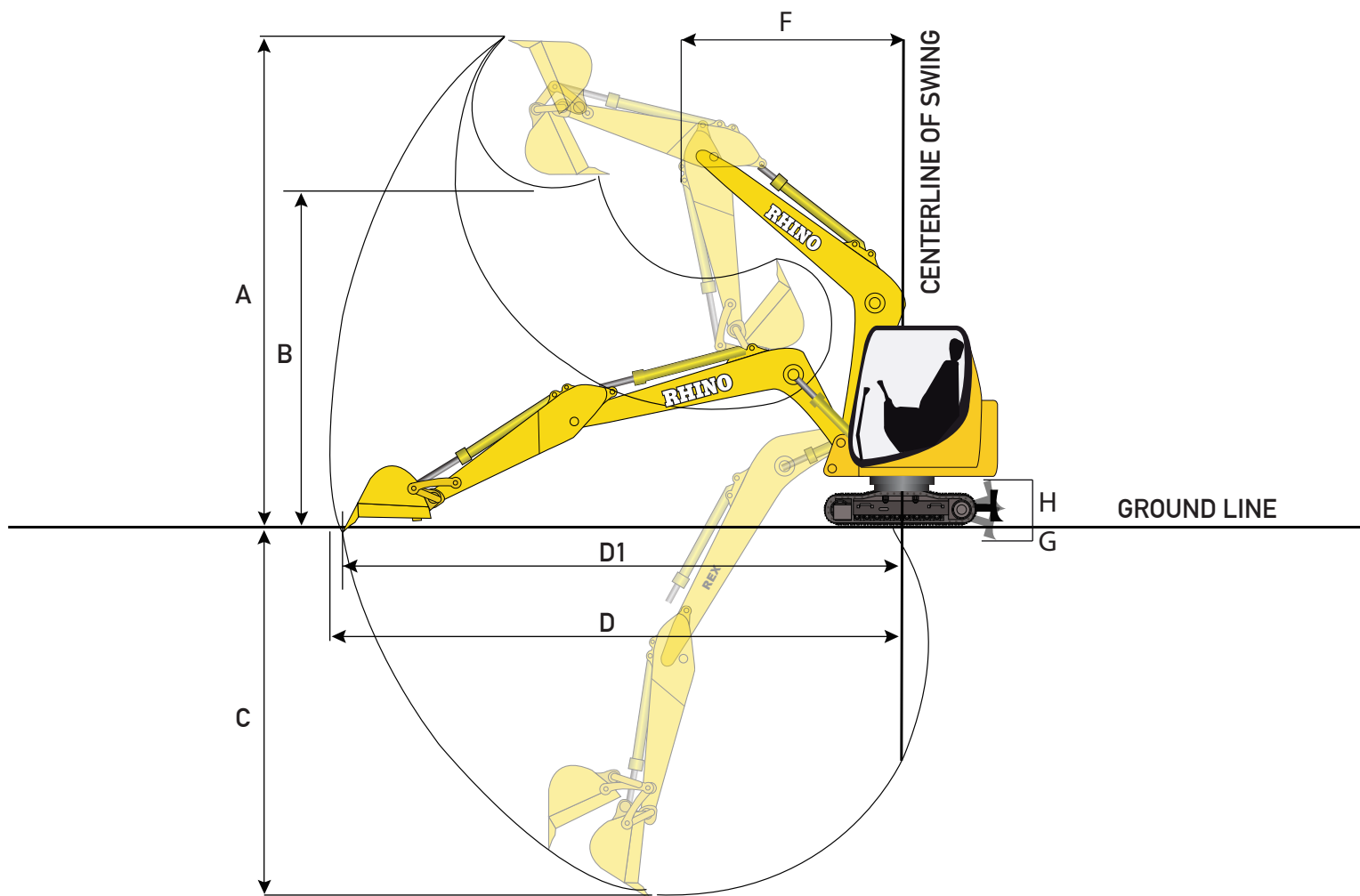
MAIN PARAMETERS

Engine (optional)	Rhino (Yanmar)
Engine Power kW (Hp)	24(33)
Emissions (optional)	Tier 2 (Tier 3, Tier 4)
Bucket Capacity m ³ (cu.Yd)	0,1(0.14)
Rated Engine Speed rpm	2,200
Hydraulic System Pressure Mpa (psi)	18(2.611)
Dosing Pumps L/min (gpm)	56(15)
Max. Digging Force kN (lb)	18(4.047)
Gradeability (°)	30
Ground Pressure Kpa (psi)	32(4.6)
Walking Speed km/h (mph)	2,7(1.7)
Max. Traction kN (lb)	20(4.497)
Platform Rotation Speed rpm	13



MACHINES DIMENSIONS

A. Overall Length mm (ft)	4,500(14.8)
B. Total Height mm (ft)	2,250(7.4)
C. Overall Width mm (ft)	1,480(4.9)
D. Track Width mm (in)	280(0.9)
E. Platform Radius of Turn mm (ft)	1,350(4.4)
F. Track Length mm (ft)	1,800(5.9)
G. Tread mm (ft)	1,400(4.6)
H. Height Above Ground mm (ft)	238(0.8)
I. End Total Height of Boom mm (ft)	1,600(5.2)
J. Wide Platform Outside mm (ft)	1,160(3.8)
K. Hood Height mm (ft)	1,280(4.2)
L. Platform Height Above Ground mm (in)	515(20.3)



OPERATING RANGE

A. Max. Digging Height mm (ft)	4,350(14.2)
B. Max. Unloading Height mm (ft)	2,850(9.3)
C. Max. Digging Depth mm (ft)	2,990(9.9)
D. Max. Reach mm (ft)	4,900(16.1)
D1. Max. Digging Reach at Ground Level mm (ft)	4,560(15)
E. Max. Digging Height Radius mm (ft)	3,050(10.0)
F. Min. Turning Radius mm (ft)	2,100(6.9)
G. Max. Depth of the Bucket Dozer mm (ft)	290(1.0)
H. Max. Lift Height Dozer mm (ft)	270(0.9)

OPERATING WEIGHT

Operating Weight kg (lb)	3,000(6.614)
--------------------------	--------------

Equipment specifications and images may change without notice from Rhino Equipment Group Inc.

ATTACHMENTS

Rhino Excavators come standard with the hydraulic line for attachments. Attachments include hydraulic hammers, thumb cutters, and many more.

Rhino Hydraulic Hammer Match: 254SK



Rhino Excavators can come with different types of buckets depending on work requirements

OPTIONS

Rhino Excavators can come with different options like: Tier2, Tier3, Tier4 Engine, Close cab, Rock bucket, Trench bucket, Thumb cutters, and many more according to work requirements.

ATTACHMENTS

Rhino Excavators come standard with hydraulic line for attachments.



Many options buckets



Hydraulic Hammers



Trenchers



Augers

and many more...

Equipment specifications and images may change without notice from Rhino Equipment Group Inc.