



**RD8**

**BULLDOZER**





# Best-in-class access to service and maintenance points for maximum uptime



Rhino Dozers combine incredible versatility to handle a wide range of jobs with innovations that help you do those jobs better, faster and more efficiently. These crawler dozers are ideal for residential construction performing such tasks as clearing and grading lots, sloping the sides of roads, back-filling, and final grade work for landscaping and driveway construction.



1. Standard high-back seat and lower cushion adjust multiple ways for daylong comfort and support.
2. Easy-to-read, high-visibility gauges and warning lamps keep the operator aware of critical system information.
3. Speed travel can also be varied to fit specific applications, terrain conditions, or operating preferences.

## ENGINE

Make / Engine Model	Cummins 4BTA3.9
Emission Rating	Tier 2 ( Tier 3, Tier 4 )
Cylinders	4
Displacement L ( cu.In )	3.0(183)
Net Power kW (Hp) @2300 rpm	81(108.6)
Net Peak Torque Nm (lb.ft) @1,780 rpm	414(305.4)
Fuel System	Direct Injection
Aspiration	Turbocharged, charge air cooled
Air Cleaner	Under-hood , dual element dry type, restriction indicator on filter housing for service

## COOLING

Fan Drive	Belt Driven
-----------	-------------

## TRANSMISSION

Type	Powershift, planetary gear and multiple disc clutch, hydraulically actuated; tracks are moved by a central spiral-bevel gear to provide instant power; gear selection lever with linkage mechanism; engine speed and decelerator pedal to control ground speed
System Pressure Mpa (psi)	2(290)
Maximum Travel Speeds	
Forward 1 - 4 Gear km/h (mph)	2.6-10.4(1.6-6.5)
Reverse 1 - 2 Gear km/h (mph)	3.7-6.7(2.3-4.2)
Steering	Individual levers to control each track; Steering clutch provides immediate precision
Final Drive	Double reduction final drives mounted enclosed and isolated to protect them from shocks and debris
Drawbar Pull kN (lb)	
Maximum	95(21.4)
Service Brake	Dynamic braking when decelerator pedal is actuated; brake pedal actuation, hydraulically activated drums on each track for instant stop and reliability.
Parking Brake	Manually activated

## HYDRAULICS

Type	Gear Pump
Pressure Mpa (psi)	15(2.176)
Max. Flow L/min (gpm)	54(14)
Control	Lever control for blade with float mode: lever control for ripper

## ELECTRICAL

Battery	24 volts
Alternator Rating / Optional	50A
Lights	2 Front Lights, 2 Rear Lights

## UNDERCARRIAGE

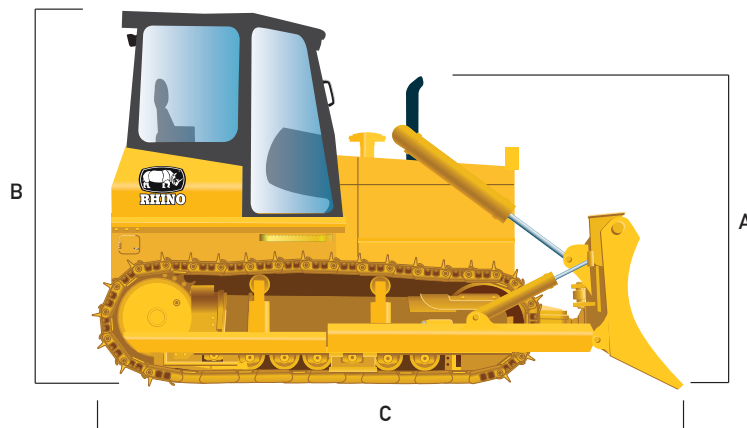
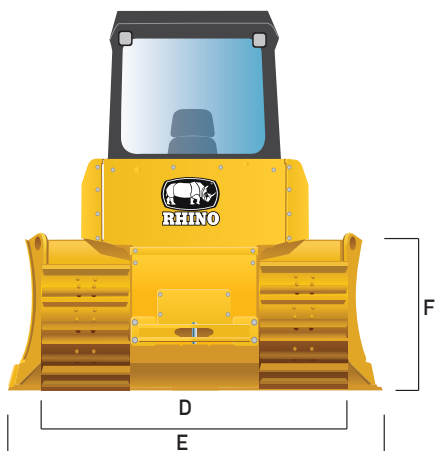
Track Gauge mm (in)	1,500(59.1)
Grouser Width mm (in)	450(17.7)
Chain	Sealed and lubricated
Shoes, Each Side	39
Track Rollers, Each Side	5
Track Length on Ground mm (in)	2,130(83.9)
Ground Contact Area cm <sup>2</sup> (sq.in)	17,040(2.641)
Ground Pressure Mpa (psi)	54(7.9)
Track Pitch mm (in)	140(5.5)
Operator Station	ROPS and FOPS

## REFILL CAPACITIES L (gal)

Fuel Tank	215(57)
Cooling System	22.5(6)
Engine Oil	15(4)
Transmission Fluid	57(15)
Hydraulic Tank	40(11)
Steering	40(11)
Final Drive Case (for both)	10(3)

## OPERATING WEIGHTS

Base Weight kg (lb)	10,400(22.9)
Weight with 3-Shank Ripper kg (lb)	9,080-9,200(20.1-20.3)



## MACHINE DIMENSIONS

Blade Type	Straight-tilt	Angle
A. Overall Height to Top of Exhaust mm (ft)	2,600(8.5)	2,600(8.5)
B. Height to Top of Cab mm (ft)	2,740(9.0)	2,740(9.0)
C. Overall Length mm (ft)	4,200(13.8)	4,200(13.8)
D. Width over Track mm (ft)	1,900(6.2)	1,900(6.2)
E. Blade Width mm (ft)	2,935(9.6)	2,955(9.7)
F. Blade Height mm (ft)	960(3.1)	950(3.1)
Tread Depth with Single-Bar Grouser mm (in)	50(2.0)	50(2.0)
Ground Clearance in Dirt mm (in)	350(13.8)	350(13.8)
Length With Ripper mm (ft)	5,270(17.3)	5,270(17.3)
Blade Lift Height mm (in)	830(32.7)	840(33.1)
Blade Digging Depth mm (in)	350(13.8)	350(13.8)
Blade Cutting-Edge Angle (°)	20	20
Blade Capacity m <sup>3</sup> (cu. Yd)	2.0(2.6)	2.2(2.9)
Blade Angle (°)	—	45
Blade Tilt mm (in)	345(13.6)	345(13.6)
Gradeability (°)	20	20
Overall Dimension (LxWxH) mm (ft)	4,190x2,935x3,020(13.7x9.6x9.9)	

## RIPPER

Single or Multi-shank (3) parallelogram ripper with hydraulic pitch adjustment and replaceable tips

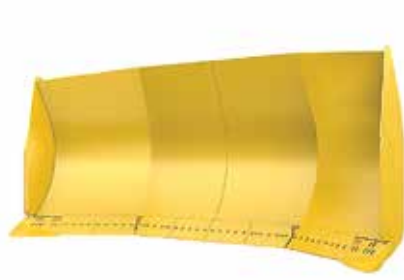
Weight kg (lb)	6,0(13.2)
Max. Penetration mm (in)	425(16.7)
Max. Clearance Under Tip mm (in)	460(18.1)
Overall Length Lowered Position mm (in)	1,272(50.1)
Slope Angle (full raise) (°)	24



## BLADES



Angle Blade



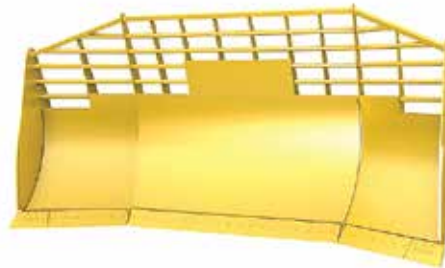
U Blade



Semi U Blade



Straight Blade



Waste Blade



1 shank ripper

3 shank ripper



The attachments shown are for reference only; the final product may be different from the images shown.

## OPTIONS

Rhino Dozers can come with PAT blades, material handling blades, and many other custom options according to client requests.

Tier 3, Tier 4 engine.

Dozer base operating information is based on machine with identified linkage and standard equipment, standard shoes, full fuel tank, and 79-kg (175 lb.) operator. This information is affected by changes in shoes, blade, and different attachments.

Equipment specifications and images may change without notice from Rhino Equipment Group Inc.