



RBH65

BACKHOE LOADER



Shift productivity into a higher gear.



Whether you're digging, trenching, back-filling or handling material, we have a Rhino Backhoe Loader to meet your needs. Rhino Backhoe Loaders set the industry standard for operator comfort, exceptional performance, versatility and jobsite efficiency.

1. The ergonomic, automotive style operator station helps you work comfortably and productively all day long.
2. Ergonomic excavator-style joystick controls provide precise control with low effort.
3. The operation smooth in all conditions, including load and carry, highway roading or simply moving around the job site.

ENGINE			
Engine Model	Cummins 4BT3.9 / 4BT4.5 / 3B.3		
Emission Rating	Tier 2 (Tier 3, Tier 4)		
Displacement L (cu.In)	3,9(238)		
Net Power kW (Hp) @ 2,200 rpm	74(99) / 60(80)		
Net Peak Torque Nm (lb.ft) @1,500 rpm	360(266)		
Net Torque Rise	39 %		
Lubrication	Full-flow with spin-on filter		
Air Cleaner	Dual-stage dry type with evacuator valve and restriction indicator on filter housing for service		
COOLING			
Fan Drive	Belt Driven		
POWERTRAIN			
Transmission	4 speed carraro power shift transmission with electric clutch on gear lever; electric clutch cutout switch on loader control		
Torque Converter	Single stage, dual phase		
Max. Travel Speed with 19.5L-24 Rear Tires	Forward	Reverse	
1st Gear km/h (mph)	6(3.6)	6(3.7)	
2nd Gear km/h (mph)	12(7.5)	12(7.5)	
3rd Gear km/h (mph)	14,5(9.0)	14.5(9.0)	
4th Gear km/h (mph)	29(18.0)	29(18.0)	
Axles			
Front Axle Oscillation, Stop to Stop (°)	17		
Differentials			
Front Axle	Oscillating, electronically engaged for 4-Wheel-Drive		
Rear Axle	Foot actuated, hydraulically engaged with differential lock control on loader lever		
Steering	Hydrostatic power steering		
Bucket Clearance Circle			
With 2WD mm (ft)	5,000(16.4)		
With 4WD mm (ft)	5,450(17.9)		
Curb-Turning Radius			
With 2WD mm (ft)	3,545(11.6)		
With 4WD mm (ft)	4,125(13.5)		
Steering Wheel Turns (lock to lock)	2.7 turns		
Front Wheels Turning (°)	55		
Final Drive, Front Wheel and Rear	Spiral bevel gear, single stage planetary reduction		

Equipment specifications and images may change without notice from Rhino Equipment Group Inc.

Service Brake Self-adjust, hydraulic wet disc, each side is independently actuated from the cab

Parking Brake Manually actuated lever, hydraulic wet disc, self adjusting

HYDRAULICS

Main Pump Open center, gear pump

Max. Flow Rate L/min (gpm) 45(12)

System Pressure Mpa (psi) 20(2.901)

Controls

Loader Single-joystick control with differential lock

Backhoe Two-joystick control for boom, arm, bucket and swing motions

Stabilizers Two-lever control

Accessories Lever control

CYLINDERS

Type Heat-treated, chrome-plated, polished rods; hardened steel pivot pins with replaceable bushings

Chain	Bore mm (in)	Rod Diameter mm (in)	Stroke mm (in)
-------	--------------	----------------------	----------------

Loader Boom (2)	90(3.5)	45(1.8)	770(30.3)
-----------------	---------	---------	-----------

Loader Bucket (2)	95(3.7)	40(1.6)	550(21.7)
-------------------	---------	---------	-----------

Backhoe Boom (1)	140(5.5)	55(2.2)	970(38.2)
------------------	----------	---------	-----------

Backhoe Arm (1)	130(5.1)	55(2.2)	740(29.1)
-----------------	----------	---------	-----------

Backhoe Bucket (1)	100(3.9)	55(2.2)	850(33.5)
--------------------	----------	---------	-----------

Backhoe Swing (2)	115(4.5)	50(2.0)	330(13.0)
-------------------	----------	---------	-----------

Backhoe Stabilizer (2)	115(4.5)	50(2.0)	535(21.1)
------------------------	----------	---------	-----------

ELECTRICAL

Voltage 12

Alternator Amps 95

Lights 43 front, 4 rear, 2 front turn signals, 2 rear turn signals with back-up lights

OPERATOR STATION

Type Canopy, isolation mounted, ROPS/FOPS, left and right access, A/C, rear and door windows can be opened

TIRES/WHEELS

Front Axle 12-16.5 8ply

Rear Axle 19.5-24 12 ply

REFILL CAPACITIES L (gal)

Cooling System 13(3)

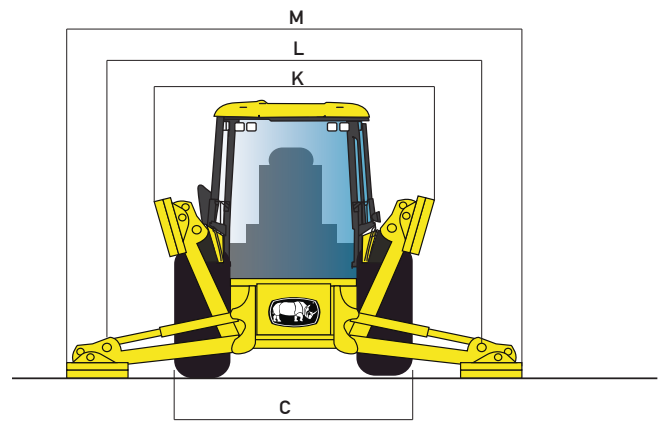
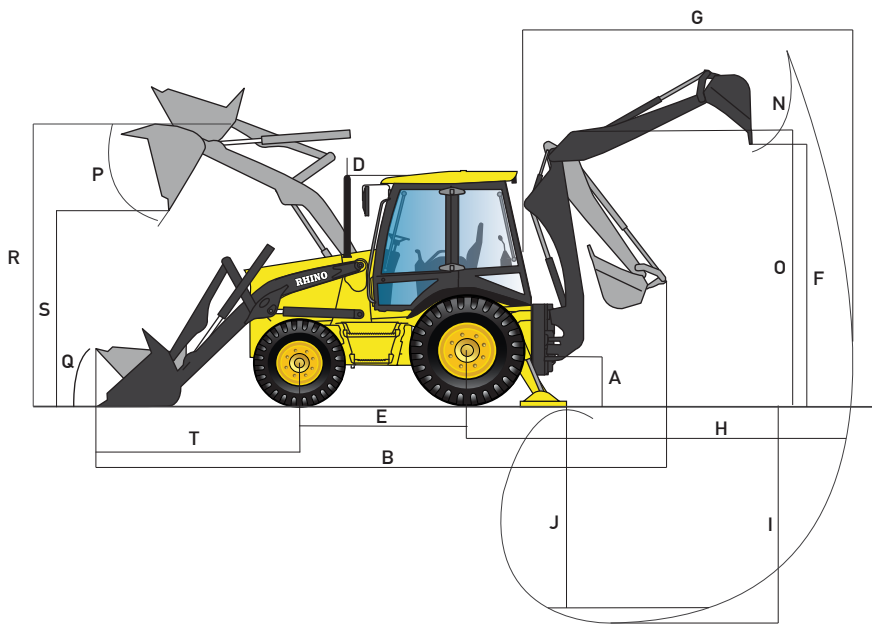
Rear Axle 14(4)

Engine Oil 10(3)

Transmission 19(5)

Fuel Tank 125(33)

Hydraulic System 132(35)



OVERALL DIMENSIONS

A. Min. Ground Clearance mm (ft)	300(11.8)
B. Overall Transport Length mm (ft)	7,400(24.3)
C. Width Over Tires mm (ft)	2,170(7.1)
D. Height to Top of Cab mm (ft)	2,500(8.2)
E. Wheelbase mm (ft)	2,110(6.9)
Backhoe to the Side Length mm (ft)	7,000(23.0)

BACKHOE DIMENSIONS/PERFORMANCE

Backhoe Bucket 0.3 m³ (0.4 cu. Yd) Backhoe Bucket Range 305-813 mm (12-32 in)

Swing Arc (°)	180
Operator Control	2 joysticks
Stabilizer Angle Rearward (°)	18
F. Loading Height mm (ft)	4,250(13.9)
G. Reach from Center of Swing Pivot mm (ft)	5,250(17.2)
H. Reach from Center of Rear Axle mm (ft)	5,367(17.6)
I. Max. Digging Depth mm (ft)	3,800(12.5)
J. Digging Depth 610 mm (2 ft) Flat Bottom mm (ft)	3,760(12.3)
K. Stabilizer Width, Transport mm (ft)	2,220(7.3)
L. Stabilizer Spread, Operating mm (ft)	3,570(11.7)
M. Stabilizer Overall Width, Operating mm (ft)	3,470(11.4)
N. Bucket Rotation (°)	170
O. Transport Height mm (ft)	2,950(9.7)

LOADER DIMENSIONS/PERFORMANCE

P. Max. Bucket Dump Angle (°)	45
Q. Rollback Angle at Ground Level (°)	30
R. Max. Height to Bucket Hinge Pin mm (ft)	3,300(10.8)
S. Dump Clearance, Bucket at 45 degrees mm (ft)	2,550(8.4)
T. Length from Front Axle Centerline to Bucket Teeth mm (ft)	2,000(6.6)
Standard Bucket Capacity m3 (cu. Yd)	1,0(1.3)
Width mm (in)	2,315(91.1)
Weight kg (lb)	786(1.733)
Lift Capacity, Fully Height kg (lb)	2,600(5.732)

OPERATING WEIGHTS

With Full Fuel Tank, 79 kg (175 lb) Operator and Standard Equipment	7,000(15.432)
---	---------------

OPTIONS

- Front auxiliary hydraulic line for accessories
- Brooms
- 4 in 1 Bucket
- Foklift Forks
- Hydraulic Hammer RH47BE
- Quick Coupler for excavator or loader
- Thumb for Buckets
- Shears
- Extendible Arm
- Joystick Controls
- Loader Bucket Blade
- Tier 3, Tier 4 engine

Rhino backhoes come standard with the hydraulic line for attachments. Attachments include hydraulic hammers, thumb cutters, and many more.

Rhino Hydraulic Hammer Match: 47BE

Rhino Backhoes can come with several options:

Clam Loader Buckets, 4 in 1 Bucket, Backhoe Bucket Range 305 - 813 mm (12 - 32 in), Loader Bucket Range 0.8 m3 to 1.0 m3 (1.0 cu. Yd to 1.3 cu. Yd)

Backhoe Tele-Arm (Extendible Arm), And many more options depending on client requirements.