



RSC233

SOIL COMPACTORS



Integrated design for long life and uptime



Safety starts with an alert, comfortable operator. Air conditioning and filtered air keep the operator cool and on task.



Landfill compactors are essential equipment for maintaining refuse landfill sites. This compactor can push, spread, pulverize, demolish, and compact refuse effectively. Using this type of compactor helps save and protect the environment and extend the operating life of landfill sites.

The constant direction changes, poor underfoot conditions and debris riddled environment of the landfill are easily managed by the rugged and dependable Rhino Soil Compactors drive train components.

Infrared cameras and backup buzzer provide extra safety for the operator and its environment.

Different types of baldes are available to our customers for dozing or spreading to match site requirements.

POWER TRAIN

Engine Make / Model	Cummins QSM11 or Rhino
Net Power kW (Hp) @ 2,200 rpm	250(335)
Displacement L (cu. In)	11.0(671)
Emissions Rating (optional)	Tier 2 (Tier 3, Tier 4)
Fuel System	Direct Injection
Lubrication	Full-flow spin-on filter
Aspiration	Turbocharged
Air Cleaner	Under-hood, dual element dry type
Fan Drive	Belt driven
Electrical System	24 Volts with 70 Amp alternator

TRANSMISSION

TRANSMISSION

Type	Electronically controlled hydrostatic motors drive each wheel for greater traction
------	--

Max. Travel Speed km/h (mph)	8.0(5.0)
------------------------------	----------

HYDRAULIC SYSTEM

Pump Type	Axial piston pump, Variable displacement, Closed Center
System Pressure Mpa (psi)	15(2,176)
Pump Flow L/min (gpm)	210(55.5)

AXLES

Front	Fixed
Oscillating Rear	10 degrees

BRAKE SYSTEM

Service Brakes	Hydrostatic dybamic breaking
Parking Brake	Spring Applied Hydraulic Release (SAHR) brakes

WHEELS

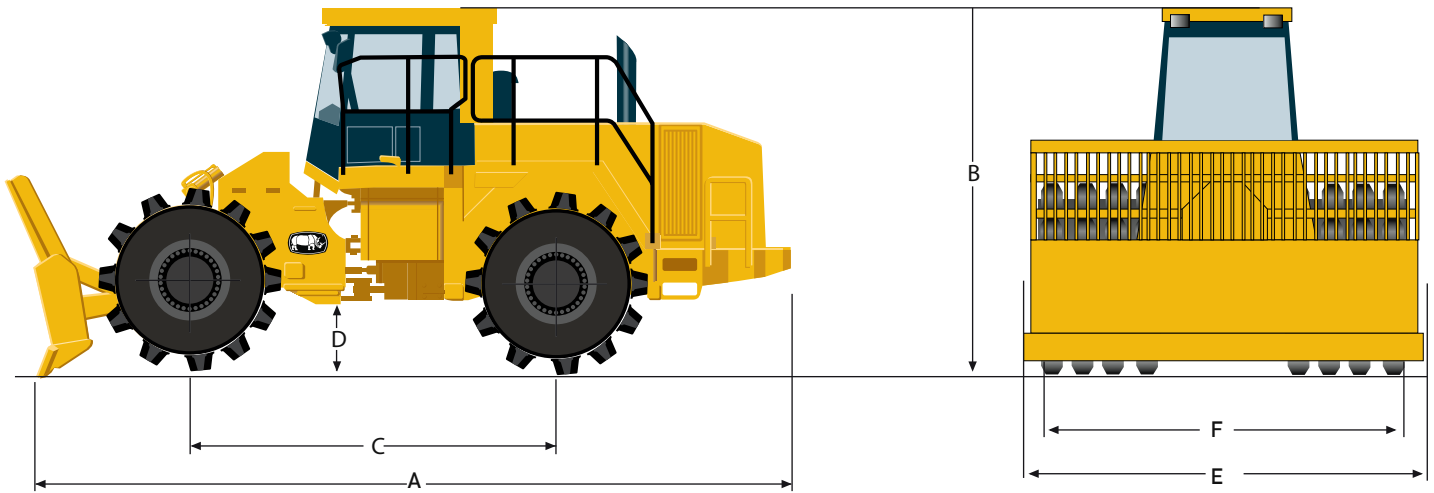
Front Drum Width mm (ft)	1,350(4.4)
Rear Drum Width mm (ft)	1,130(3.7)
Drum Diameter mm (ft)	1,620(5.3)
Blades per Wheel, Front	60
Blades per Wheel, Rear	50

Equipment specifications and images may change without notice from Rhino Equipment Group Inc.

BLADE	
Type	Straight
Blade Width mm (ft)	4,000(13.1)
Blade Height mm (ft)	1,980(6.5)
REFILL CAPACITIES L (gal)	
Fuel Tank	500(132)
Cooling	65(17)
Engine Oil	55(15)
Transmission	55(15)
Final Drives (each)	45(12)
Hydraulic Tank	350(92)
OPERATING WEIGHT	
Machine Weight kg (lbs)	33,000(72,753)

Compactor operating information is based on machine with identified linkage and standard equipment, full fuel tank, and 79-kg (175 lb.) operator. This information is affected by changes in type of drums, ballast, and different attachments.

Equipment specifications and images may change without notice from Rhino Equipment Group Inc.

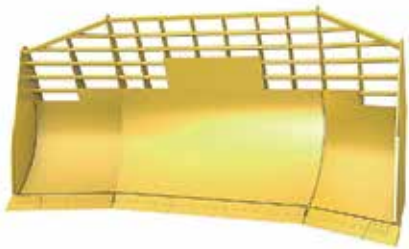


MACHINE DIMENSIONS

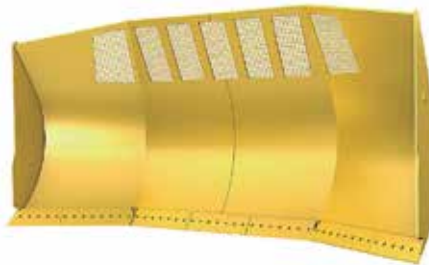
A Overall Length mm (ft)	8,250(27.1)
B Max. Machine Height mm (ft)	3,750(12.3)
C Wheelbase mm (ft)	3,500(11.5)
D Ground Clearance mm (ft)	610(2.0)
E Overall Width mm (ft)	4,000(13.1)
F Width Over Tires	3,630(11.9)
Outside Turning Radius mm (ft)	7,000(23.0)
Articulation Angle	30 degrees
Gradeability	45 degrees

OPTIONS

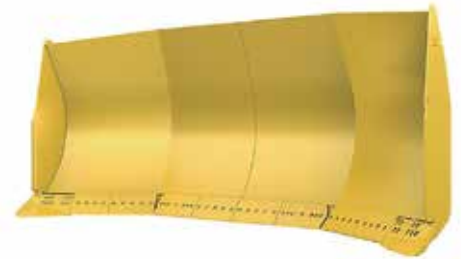
ROPS/FOPS Cab, Infrared Outside Camera, Tilt Cylinder for Blade, A/C, U-Blade, Semi-U Blade, Soil Compaction Drums Tier 3, Tier 4 engine.



Landfill Blades



Woodchip Blades



Coal U Blades

Equipment specifications and images may change without notice from Rhino Equipment Group Inc.