

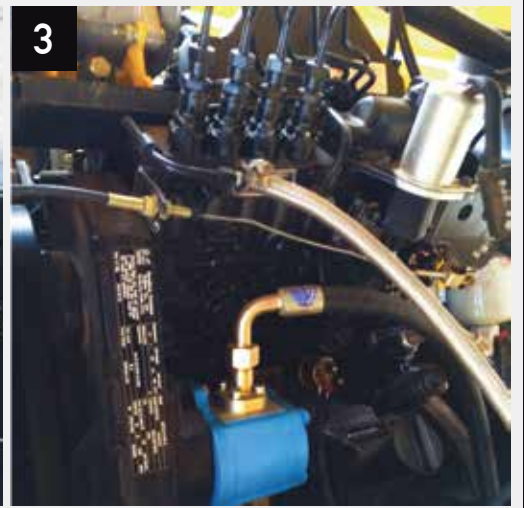


RPR2011

PNEUMATIC ROLLER



Visibility, Control, and Comfort



1. The ergonomic, automotive style operator station helps you work comfortably and productively all day long.
2. Easy-to-read, high-visibility gauges and warning lamps keep the operator aware of critical system information.
3. Reliable and durable Cummins diesel engine, more efficient with low maintenance costs.

OPERATING WEIGHT

Max. Machine Weight with Cab Kg (lb)	30,000(66,139)
Min. Machine Weight with Cab Kg (lb) / Optional	20,000(44,092) / 25,000(55,116)

POWER TRAIN

Engine Make / Model	Cummins 6BTA5.9 or Rhino
Net Power kW (Hp) @ 2,300 rpm	125(170)
Displacement L (cu. In)	5.9(360)
Emissions (optional)	Tier 2 (Tier 3, Tier 4)
Lubrication	Full-flow spin-on filter
Aspiration	Turbocharged
Air Cleaner	Under-hood, dual element dry type
Fan Drive	Belt driven
Electrical System	24 Volts with 70 Amp alternator

TRANSMISSION

Type	Compact gearbox with speed-shift synchronous unit or power-shift dynamic-hydraulic gearbox for advanced design and convenient control
Low Travel Speed kmh (mph)	15(9)
High Travel Speed kmh (mph)	20.5(13)

TIRES

	Smooth, 11.0 R20
Number of Tires	5 Front, 6 Rear
Load at Wheel No Ballast kg (lb)	1,818(4,008)
Load at Wheel Max. Ballast kg (lb)	2,727(6,012)
Tire Contact Pressure Max. Ballast kPa (psi)	307(45)
Tire Contact Pressure Max. Ballast kPa (psi)	460(67)

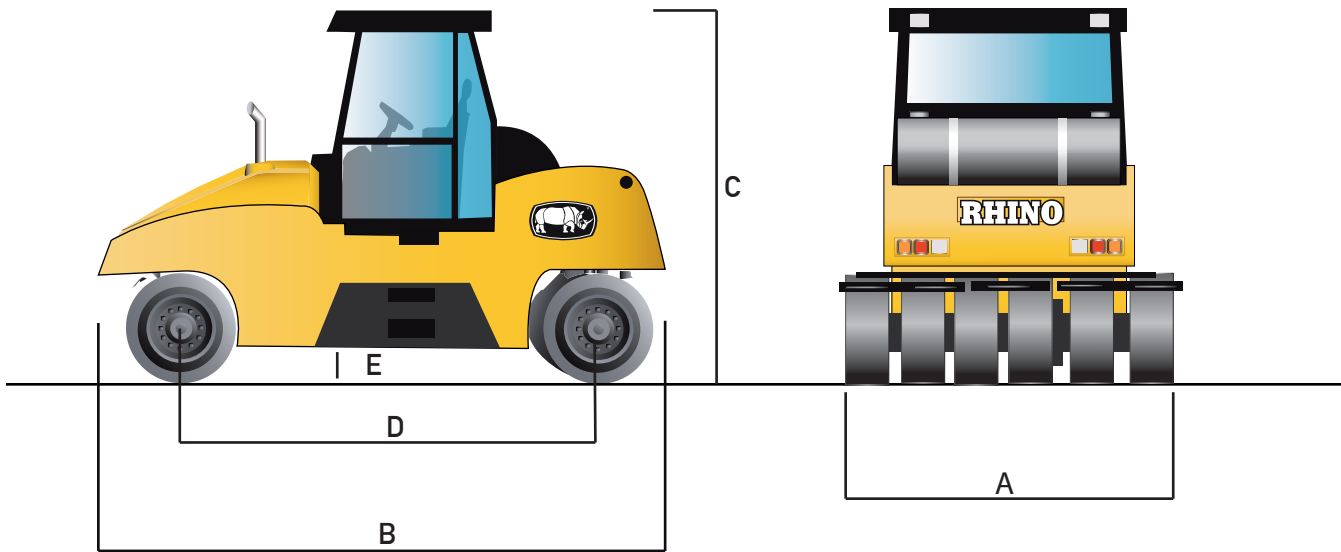
HYDRAULIC SYSTEM

Pump Type	Axial piston pump, Variable displacement
Driving Type	Axial piston motors, Constant displacement
Steering Type	Fully Hydraulic Steering
System Pressure Mpa (psi)	32(4,641)
Steering System Pressure Mpa (psi)	8(1,160)
Service Brakes	Fully Hydraulic Service Brake
Parking Brake	Fully Hydraulic Parking Brake

REFILL CAPACITIES L (gal)

Fuel Tank	300(79)
Coolant	12(3)
Engine Oil	15(4)
Brakes	0.8(0)
Hydraulic Tank	100(26)
Water Tank	800(211)
Ballast Compartment m3 (ft3)	3.2(113)

DIMENSIONS



A. Overall Width mm (ft)	2,790(9.2)
B. Overall Length mm (ft)	4,847(15.9)
C. Max. Machine Height mm (ft)	4,950(16)
D. Wheelbase mm (ft)	3,865(12.7)
E. Ground Clearance mm (ft)	300(1.0)
Outside Turning Radius mm (ft)	8,000(26.2)
Inside Turning Radius mm (ft)	6,100(20.0)
Steering Angle	35 degrees
Gradeability	13 degrees
Compaction Width mm (ft)	2,790(9.2)
Tire Overlap mm (in)	40(1.6)
Oscillation Angle	35 degrees

Equipment specifications and images may change without notice from Rhino Equipment Group Inc.