



REX74CW

EXCAVATOR



Unprecedented precision and ease to transport.



The REX74CW can transform from a crawler excavator to a wheel excavator to provide a faster way of transportation from site to site; thus, decreasing transportation costs, and increasing the undercarriage's life. This full hydraulic wheel-drive can be easily and quickly removed if needed.



1. Level climate-control system with automotive-style adjustable louvers helps keep the glass clear and the cab comfortable.
2. LCD monitor provide intuitive access to a wealth of information and functions.
3. Ergonomically correct short-throw pilot levers provide smooth, predictable fingertip control with less movement or effort.

ENGINE

Engine Make/ Engine Model	Rhino A498BPG
Emission (optional)	Tier 2 (Tier 3, Tier 4)
Cylinders	4
Displacement L (cu. In)	3.2(195)
Net Power kW (Hp) @2,500 rpm	45(60)
Fuel System	Direct Injection
Aspiration	Naturally Aspirated

COOLING

Fan Drive	Belt driven
-----------	-------------

POWERTRAIN

Crawler Mode	Dual speed mode for tracks on-dash one-button activation
Wheel Mode	Two-wheel-drive; Front tire steering; Full hydraulic control
Maximum Travel Speeds (Track mode)	
Low	2.7(1.7)
High	5.1(3.2)
Wheel Mode	10(6.2)

HYDRAULICS

Type	Open center, load sensing; two variable-displacement axial-piston pumps
Pressure Mpa (psi)	18(2,611)
Max. Flow L/min (gpm) (each)	48(13)
Power Boost Mpa (psi)	29(4,206)
Control	2 pilot levers, low-effort hydraulic controls with horn and boost buttons

CYLINDERS

	Bore	Rod Diameter	Stroke
Boom (1) mm (in)	110(4.3)	60(2.4)	850(33.5)
Arm (1) mm (in)	90(3.5)	55(2.2)	975(38.4)
Bucket (1) mm (in)	80(3.1)	50(2.0)	695(27.4)

ELECTRICAL

Number of Batteries	2
Voltage	24 Volts
Alternator Rating	70 A
Lights	3 Front lights, 1 Rear lights turn signals, brake lights

Equipment specifications and images may change without notice from Rhino Equipment Group Inc.

UNDERCARRIAGE

Carrier Rollers (each side)	1
Track Rollers (each side)	5
Shoes (each side) Triple Semi-Grousers	40
Track width mm (in)	500(19.7)
Adjustment	Hydraulic
Guides	Front Idler
Chain	Sealed and lubricated

GROUND PRESSURE

Triple Semi-Grouser (500mm) (20 in) Shoes Kpa (psi)	35(5.1)
-----------------------------------------------------	---------

SWING MECHANISM

Speed	10 rpm
-------	--------

REFILL CAPACITIES L (gal)

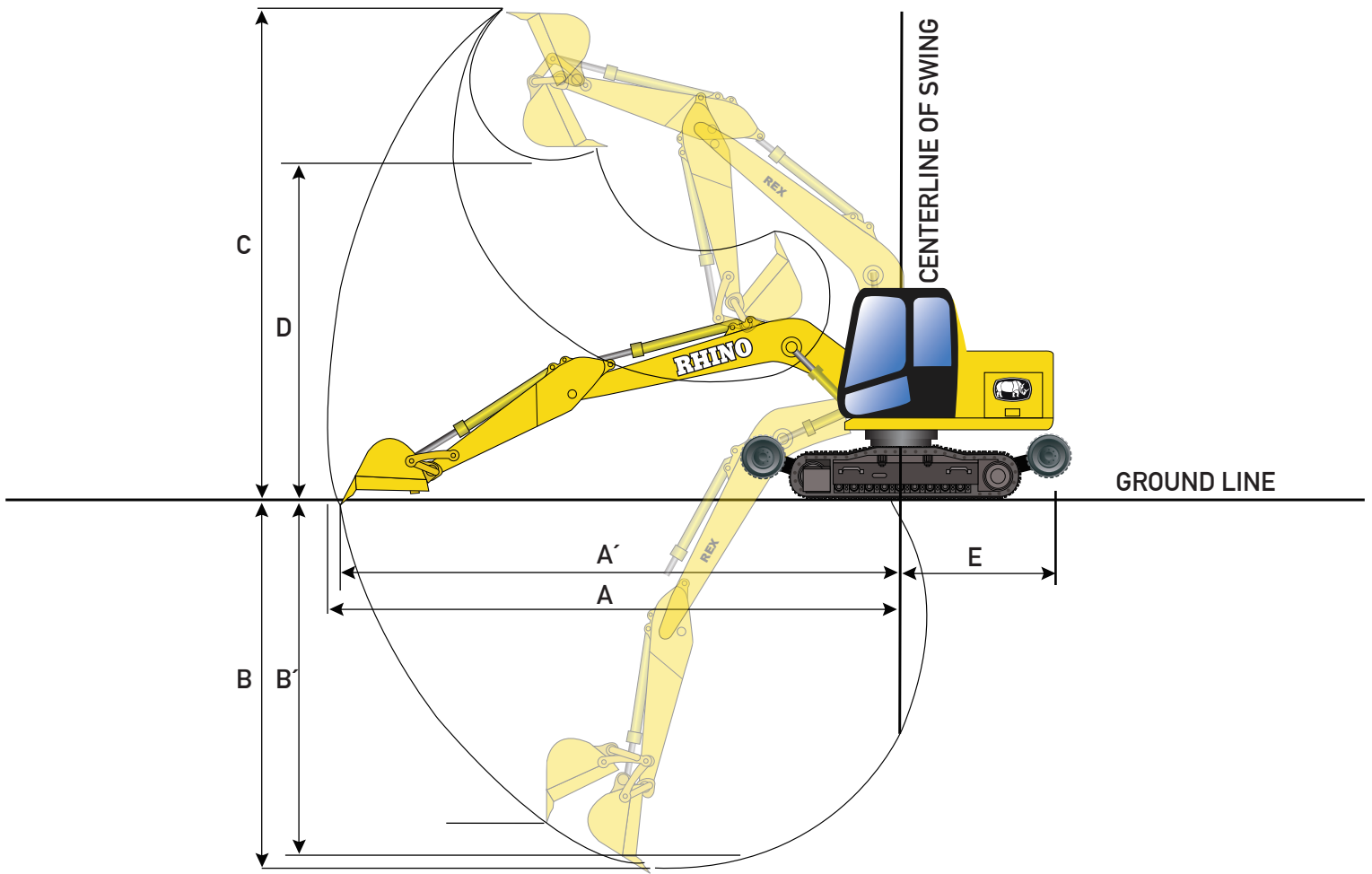
Fuel Tank	160(42)
Cooling System	12(3)
Engine Oil	8(2)
Hydraulic Tank	160(42)
Swing Drive	5(1)
Final Drive Case (each)	70(18)

OPERATING WEIGHTS

With full fuel tank; 79 kg (175lb) operator; 0.2 m³ (0.3 cu. Yd) general purpose bucket; 500 mm (20 in) tracks; Hydraulic Wheel Mode; and 2,000 mm (6.6 ft) arm

Base Weight kg (lb)	7,400(16,314)
---------------------	---------------

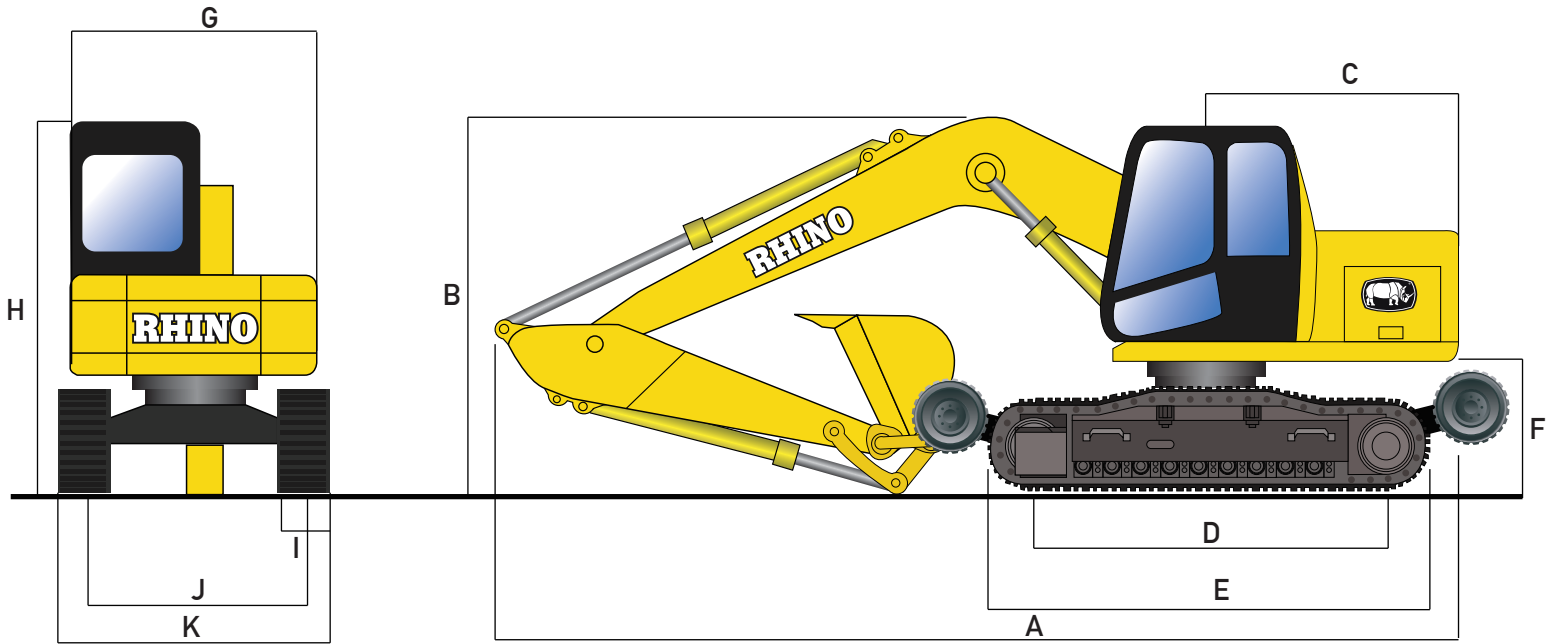
Equipment specifications and images may change without notice from Rhino Equipment Group Inc.



OPERATING DIMENSIONS

Arm Length mm (ft)	2,000(6.6)
Arm Digging Force kN (lb)	33(7,419)
Bucket Digging Force kN (lb)	53(11,847)
Lift Over End at 15' Radius, Ground Level kg (lb)	3,010(6,636)
Lift Over Side at 15' Radius, Ground Level kg (lb)	1,925(4,244)
A. Max. Reach mm (ft)	5,975(19.6)
A'. Max. Reach at Ground Level mm (ft)	5,780(19.0)
B. Max. Digging Depth mm (ft)	2,990(9.8)
B'. Max. Digging Depth at 2,000 mm (6,6 ft) Fault Bottom mm (ft)	2,890(9.5)
C. Max. Cutting Height mm (ft)	5,400(17.7)
D. Max. Dumping Height mm (ft)	3,900(12.8)
E. Tail Swing Radius mm (ft)	1,788(5.9)

Equipment specifications and images may change without notice from Rhino Equipment Group Inc.



MACHINE DIMENSIONS

A. Overall Length transport mm (ft)	6,100(20.0)
B. Overall Height with 2,000 mm (6.6ft) Arm mm (ft)	2,905(9.5)
C. Swing Radius mm (ft)	1,788(5.9)
D. Length of Track on Ground mm (ft)	2,950(9.7)
E. Undercarriage Length mm (ft)	3,100(10.2)
F. Counterweight Clearance mm (ft)	650(2.1)
G. Upperstructure Width mm (ft)	1,995(6.5)
H. Cab Height mm (ft)	1,645(5.4)
I. Track Width mm (in)	500(19.7)
J. Gauge Width mm (ft)	1,900(6.2)
Wheel Tread mm (ft)	1,930(6.3)
K. Overall Width with Triple Semi-Grouser 500 mm (20 in) Shoes mm (ft)	2,085(6.8)

ATTACHMENTS

Rhino excavators come standard with the hydraulic line for attachments. Attachments include hydraulic hammers, thumb cutters, and many more.

Rhino Hydraulic Hammer Match: 714BE

OPTIONS

Rhino Excavators can come with different options like: 4WD, 8.25-16 tires, Tier 3, Tier 4 engine, rock bucket, trench bucket, augers, thumb cutters, and many more according to work requirements.

Rhino Excavators can come with different types of buckets depending on work requirements

Equipment specifications and images may change without notice from Rhino Equipment Group Inc.