



REX450

EXCAVATOR



Unprecedented precision and ease of operation.



This Rhino excavator is loaded with enhancements that not only increase productivity and uptime, but lower daily operating costs, too. A high-efficiency “on-demand” cooling system, advanced multifunction monitor, and productivity modes to allow you to choose your digging style headline the long list of advances.



1. Level climate-control system with automotive-style adjustable louvers helps keep the glass clear and the cab comfortable.
2. LCD monitor provide intuitive access to a wealth of information and functions.
3. Ergonomically correct short-throw pilot levers provide smooth, predictable fingertip control with less movement or effort.

ENGINE				
Engine Make/ Engine Model	Cummins / QSM11 or Rhino			
Emission Rating (optional)	Tier2 (Tier3, Tier4)			
Cylinders	6			
Displacement L (cu. In)	11(671)			
Net Power kW (Hp) @2,200 rpm / Optional	251(337) / 270 (362)			
Fuel System	Direct Injection			
Aspiration	Turbocharged, air-to-air charge air cooler			
COOLING				
Fan Drive	Hydraulically driven			
POWERTRAIN				
Type	Dual speed mode for tracks on-dash one-button activation			
Maximum Travel Speeds				
Low	3(2)			
High	5.5(3.4)			
HYDRAULICS				
Type	Open center, load sensing; two variable-displacement axial-piston pumps			
Pressure Mpa (psi)	34(4,975)			
Max. Flow L/min (gpm) (each)	360(95)			
Power Boost Mpa (psi)	36(5,221)			
Control	Pilot levers, low-effort hydraulic controls with horn and boost buttons			
CYLINDERS		Bore	Rod Diameter	Stroke
Boom (2) mm (in)		150(5.9)	115(4.5)	1,590(62.6)
Arm (1) mm (in)		185(7.3)	130(5.1)	1,800(70.9)
Bucket (1) mm (in)		160(6.3)	120(4.7)	1,270(50.0)
ELECTRICAL				
Number of Batteries	2			
Voltage	24 Volts			
Alternator Rating	50 A			
Lights	5 Front lights, 1 Rear lights			

Equipment specifications and images may change without notice from Rhino Equipment Group Inc.

UNDERCARRIAGE

Carrier Rollers (each side)	2
Track Rollers (each side)	8
Shoes (each side) Triple Semi-Grousers	48
Max. Drawbar Pull kg (lb)	36,500 (80,469)
Track	
Adjustment	Hydraulic
Guides	Front Idler
Chain	Sealed and lubricated

GROUND PRESSURE

Triple Semi-Grouser (700mm) (28 in) Shoes Kpa (psi)	72(10.4)
---	----------

SWING MECHANISM

Speed	9.0 rpm
Torque Nm (lb-ft)	152,600(112,552)

REFILL CAPACITIES L (gal)

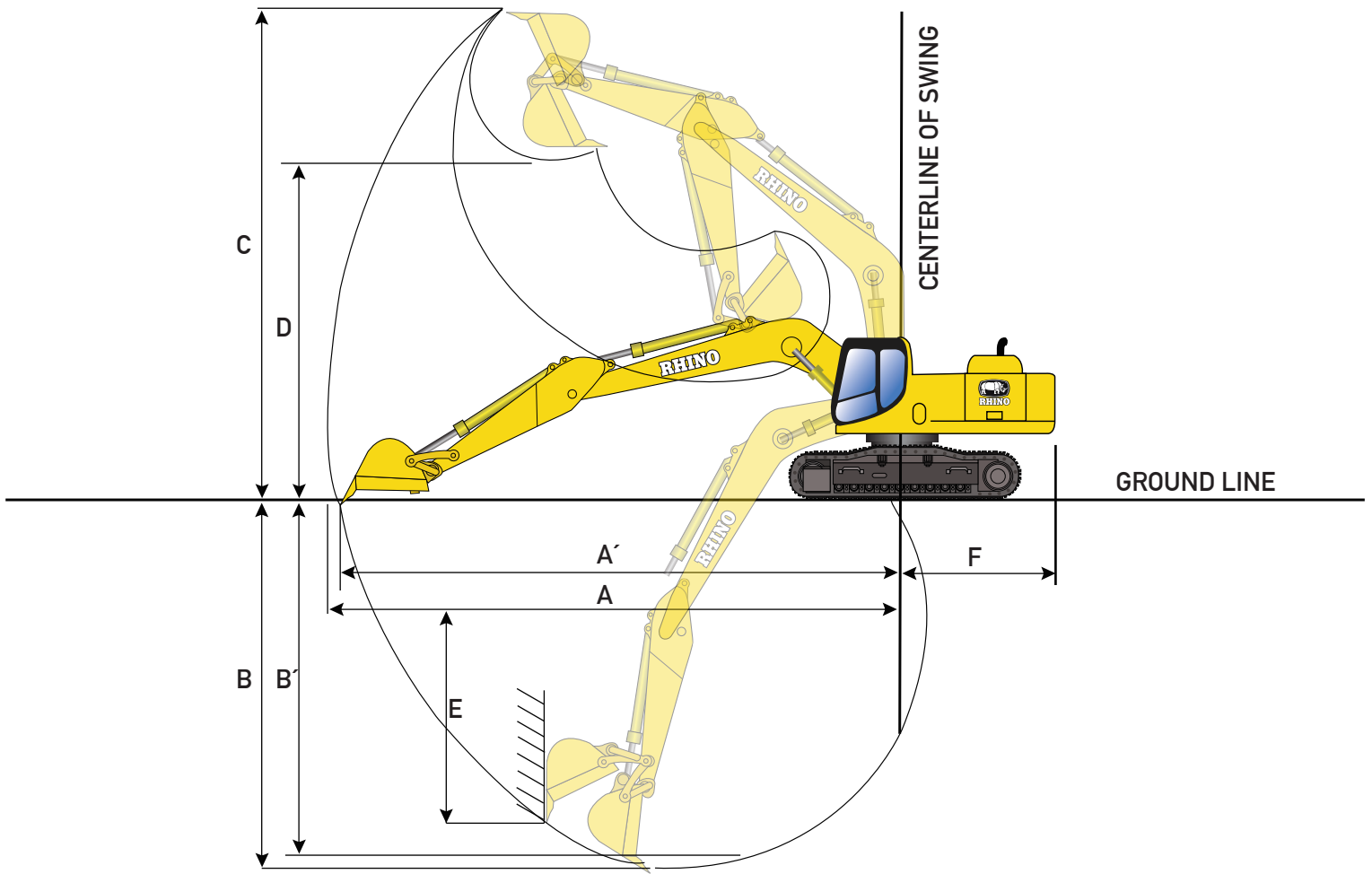
Fuel Tank	650(172)
Cooling System	36.8(10)
Engine Oil	38(10)
Hydraulic Tank	335(88)
Swing Mechanism	16.2(4.3)
Final Drive Case (each)	12.0(3.2)

OPERATING WEIGHTS

With full fuel tank; 79 kg (175lb) operator; 2.1 m³ (2.7 cu. Yd), general purpose bucket; 700 mm (28 in) shoes; and 3,380 mm (11 ft) arm

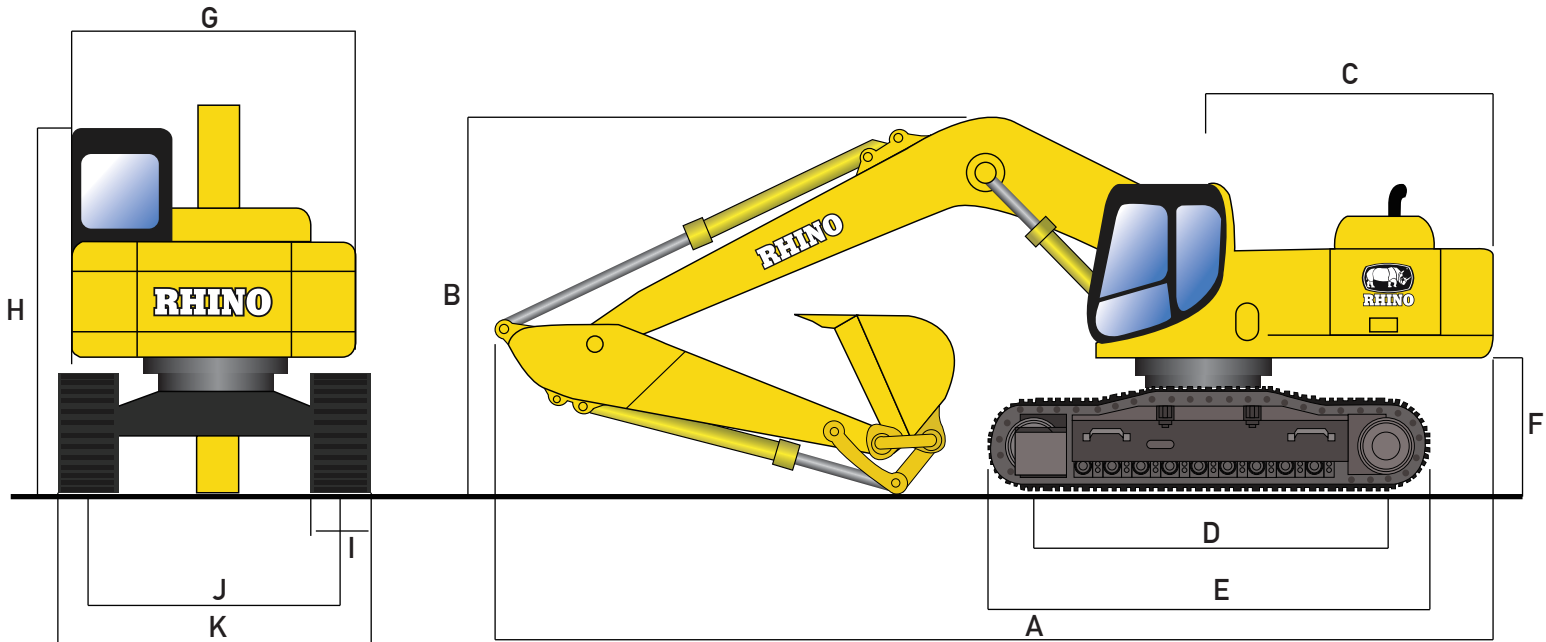
Base Weight kg (lb) / Optional	45,800(100,972) / 48,800(107,586)
--------------------------------	-----------------------------------

Equipment specifications and images may change without notice from Rhino Equipment Group Inc.



OPERATING DIMENSIONS

Arm Length mm (ft)	3,380(11.1)
Arm Digging Force kN (lb) / Optional	20,100 (45.187) / 25,500 (57.326)
Bucket Digging Force kN (lb) / Optional	25,000(56.202) / 28,560 (64.205)
Lift Over End at 15' Radius, Ground Level kg (lb)	22,590(49,802)
Lift Over End at 20' Radius, Ground Level kg (lb)	19,165(42,252)
Lift Over End at 25' Radius, Ground Level kg (lb)	14,820(32,673)
Lift Over Side at 15' Radius, Ground Level kg (lb)	18,575(40,951)
Lift Over Side at 20' Radius, Ground Level kg (lb)	12,860(28,351)
Lift Over Side at 25' Radius, Ground Level kg (lb)	9,560(21,076)
A. Max. Reach mm (ft)	12,025(39.5)
A'. Max. Reach at Ground Level mm (ft)	11,815(38.8)
B. Max. Digging Depth mm (ft)	7,810(25.6)
B'. Max. Digging Depth at 2,440 mm (8 ft) Fault Bottom mm (ft)	7,500(24.6)
C. Max. Cutting Height mm (ft)	10,910(35.8)
D. Max. Dumping Height mm (ft)	7,550(24.8)
E. Max. Vertical Wall mm (ft)	6,800(22.3)
F. Tail Swing Radius mm (ft)	3,645(12.0)



MACHINE DIMENSIONS

A. Overall Length with 3,380 mm (21 ft) Arm mm (ft)	11,980(39.3)
B. Overall Height with 3,380 mm (21ft) Arm mm (ft)	3,640(11.9)
C. Swing Radius mm (ft)	3,645(12.0)
D. Length of Track on Ground mm (ft)	4,020(13.2)
E. Undercarriage Length mm (ft) / Optional	4,360(14.3) / 5,450 (17.9)
F. Counterweight Clearance mm (ft)	2,355(7.7)
G. Upperstructure Width mm (ft)	3,045(10.0)
H. Cab Height mm (ft)	3,280(10.8)
I. Track Width mm (in)	700(27.6)
J. Gauge Width mm (ft)	2,890(9.5)
K. Overall Width with Triple Semi-Grouser 700 mm (28 in) Shoes mm (ft)	3,490(11.5)

OPTIONS

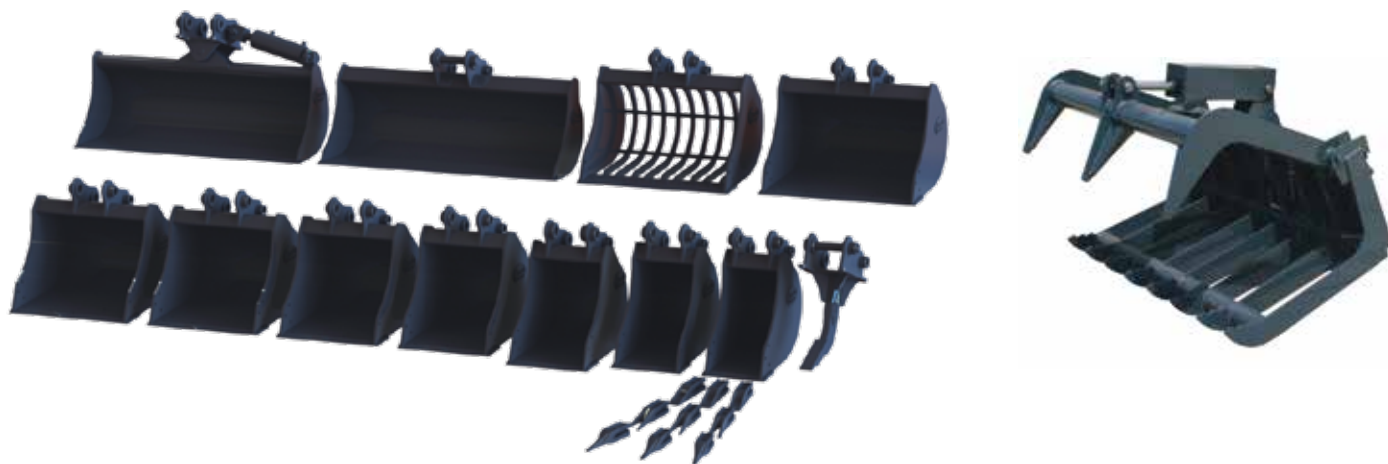
- ROPS/FOPS Cab
- 0.9M3 (1.2 cu.Yd) Bucket
- A/C
- Tier3, Tier4 engine
- Reversible hydraulic fan
- Rotating Warning Light
- Direct injection fuel pump controlled by solenoid
- Pressure gauges
- Engine temperature gauges
- Voltmeter

OPTIONS

Rhino Excavators can come with different options like: Tier2, Tier3, Tier4 Engine, Close cab, Rock bucket, Trench bucket, Thumb cutters, and many more according to work requirements.

ATTACHMENTS

Rhino Excavators come standard with the hydraulic line for attachments.



Many options buckets



Hydraulic hammers



Trenchers



Augers

and many more...

Equipment specifications and images may change without notice from Rhino Equipment Group Inc.