



REX330

EXCAVATOR





ENGINE

Engine Make/ Engine Model	Cummins / 6CTA8.3-C or Rhino
Emission Rating (optional)	Tier 2 (Tier 3, Tier 4)
Cylinders	6
Displacement L (cu. In)	8.3(506)
Net Power kW (Hp) @2,200 rpm	188(252)
Fuel System	Direct Injection
Aspiration	Turbocharged, air-to-air charge air cooler

COOLING

Fan Drive	Belt driven
-----------	-------------

POWERTRAIN

Type	Dual speed mode for tracks on-dash one-button activation
Maximum Travel Speeds	
Low	3(2)
High	5(3)

HYDRAULICS

Type	Open center, load sensing; two variable-displacement axial-piston pumps
Pressure Mpa (psi)	34(4,975)
Max. Flow L/min (gpm) (each)	265(70)
Power Boost Mpa (psi)	35(5,076)
Control	Pilot levers, low-effort hydraulic controls with horn and boost buttons

CYLINDERS

	Bore	Rod Diameter	Stroke
Boom (2) mm (in)	140(5.5)	100(3.9)	1,610(63.4)
Arm (1) mm (in)	170(6.7)	120(4.5)	1,820(71.7)
Bucket (1) mm (in)	140(5.5)	100(3.9)	1,610(63.4)

ELECTRICAL

Number of Batteries	2
Voltage	24 Volts
Alternator Rating	70 A
Lights	5 Front lights, 1 Rear lights

Equipment specifications and images may change without notice from Rhino Equipment Group Inc.



UNDERCARRIAGE

Carrier Rollers (each side)	2
Track Rollers (each side)	7
Shoes (each side) Triple Semi-Grousers	45
Max. Drawbar Pull kg (lb)	25,400 (55,997)
Track Adjustment	Hydraulic
Guides	Front Idler
Chain	Sealed and lubricated

GROUND PRESSURE

Triple Semi-Grouser (600mm) (24 in) Shoes Kpa (psi)	61(8.8)
---	---------

SWING MECHANISM

Speed	10.6 rpm
Torque Nm (lb-ft)	79,670(58,762)

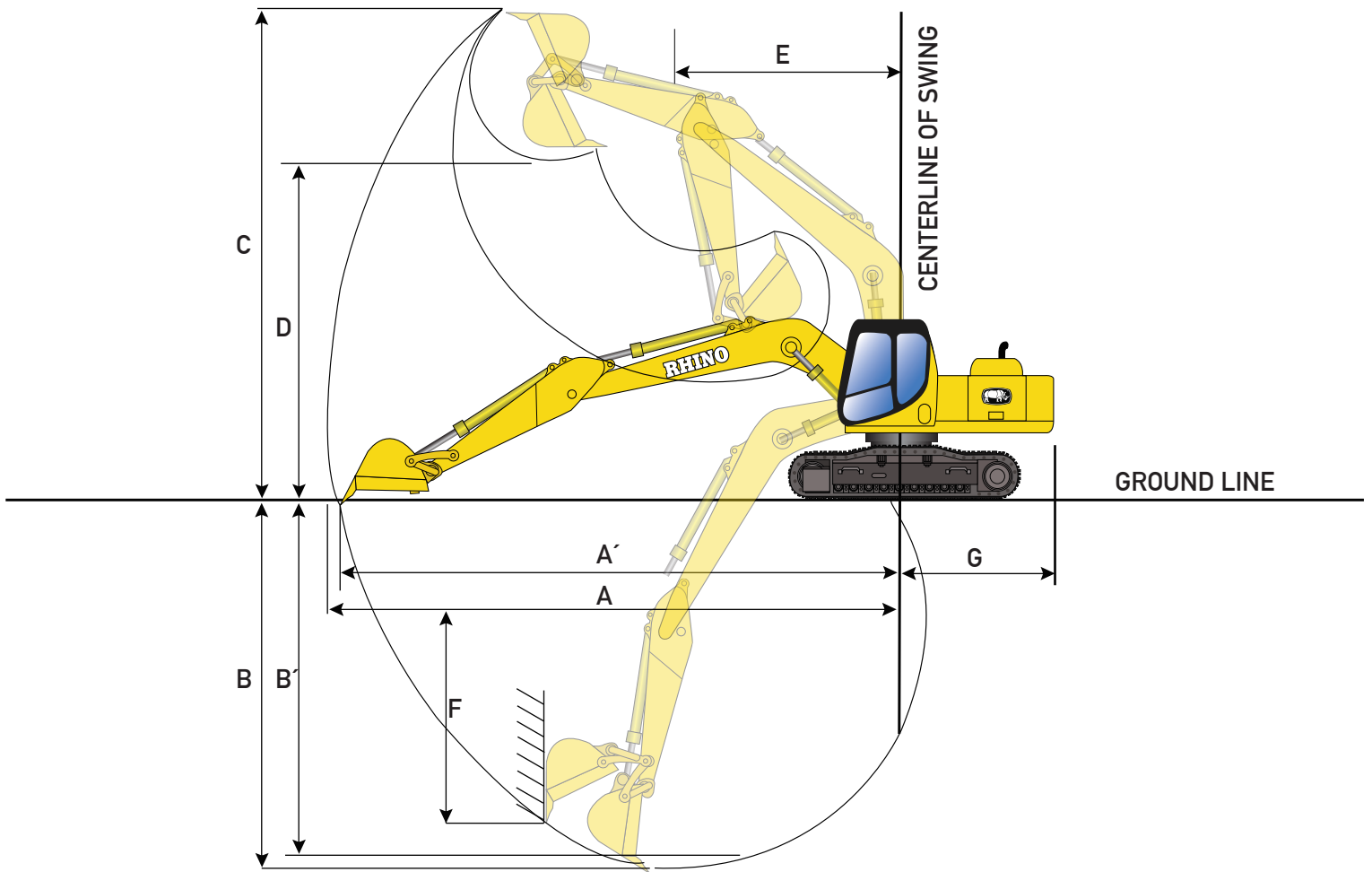
REFILL CAPACITIES L (gal)

Fuel Tank	400(106)
Cooling System	20.6(5)
Engine Oil	23(6)
Hydraulic Tank	132(35)
Swing Mechanism	8.2(2.2)
Final Drive Case (each)	8.5(2.2)

OPERATING WEIGHTS

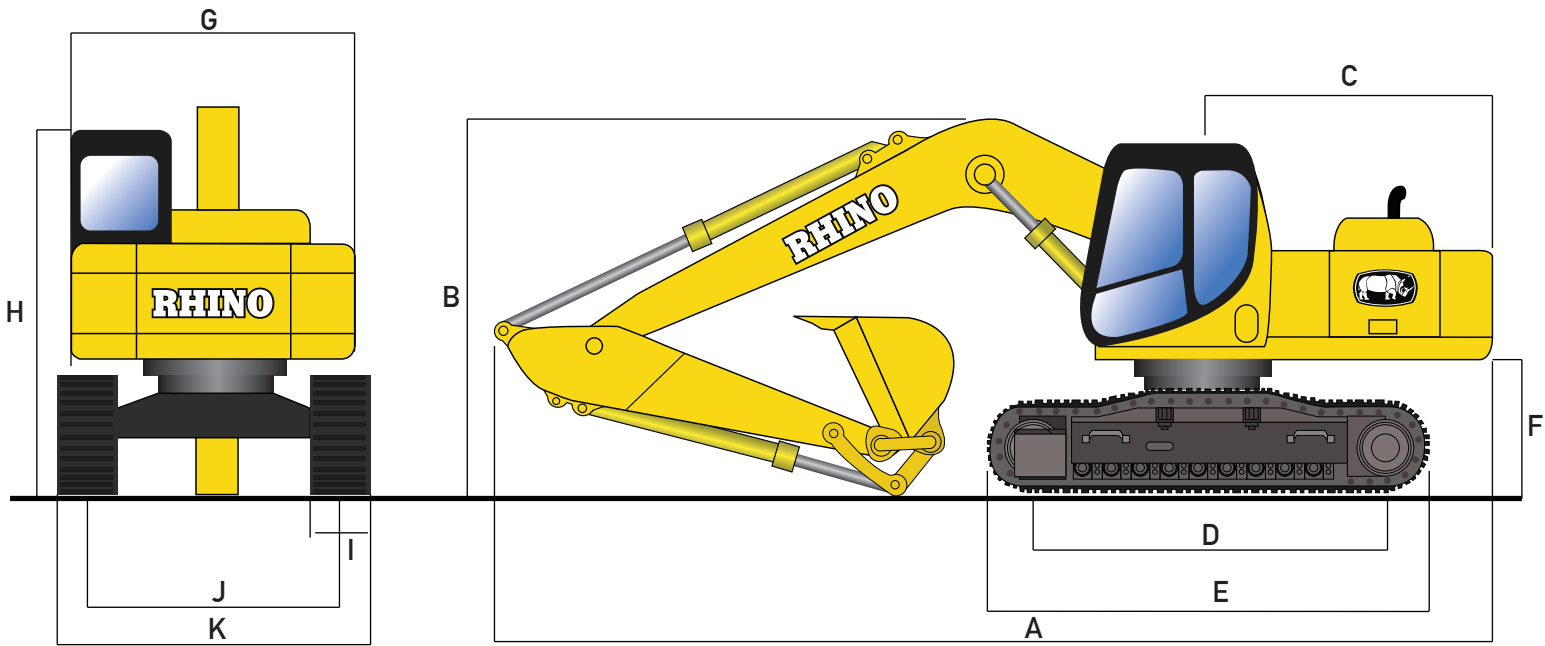
With full fuel tank; 79 kg (175lb) operator; 1.45 m ³ (1.9 cu. Yd) general purpose bucket; 600 mm (24 in) shoes; and 3,185 mm (10 ft) arm	
Base Weight kg (lb)	33,000(72,753)

Equipment specifications and images may change without notice from Rhino Equipment Group Inc.



OPERATING DIMENSIONS

Arm Length mm (ft)	3,185(10.4)
Arm Digging Force kN (lb)	128(28,776)
Bucket Digging Force kN (lb)	248(55,753)
Lift Over End at 15' Radius, Ground Level kg (lb)	15,536(34,251)
Lift Over End at 20' Radius, Ground Level kg (lb)	11,525(25,408)
Lift Over End at 25' Radius, Ground Level kg (lb)	8,475(18,684)
Lift Over Side at 15' Radius, Ground Level kg (lb)	10,725(23,645)
Lift Over Side at 20' Radius, Ground Level kg (lb)	7,158(15,781)
Lift Over Side at 25' Radius, Ground Level kg (lb)	5,398(11,901)
A. Max. Reach mm (ft)	11,100(36.4)
A'. Max. Reach at Ground Level mm (ft)	10,910(35.8)
B. Max. Digging Depth mm (ft)	7,370(24.2)
B'. Max. Digging Depth at 2,440 mm (8 ft) Falt Bottom mm (ft)	6,535(21.4)
C. Max. Cutting Height mm (ft)	10,200(33.5)
D. Max. Dumping Height mm (ft)	7,135(23.4)
E. Min. Swing Radius mm (ft)	4,265(14.0)
F. Max. Vertical Wall mm (ft)	6,380(20.9)
G. Tail Swing Radius mm (ft)	3,418(11.2)



MACHINE DIMENSIONS

A. Overall Length with 3,185 mm (21 ft) Arm mm (ft)	11,080(36.4)
B. Overall Height with 3,185 mm (21ft) Arm mm (ft)	3,180(10.4)
C. Swing Radius mm (ft)	3,418(11.2)
D. Length of Track on Ground mm (ft)	3,700(12.1)
E. Undercarriage Length mm (ft)	4,622(15.2)
F. Counterweight Clearance mm (ft)	1,208(4.0)
G. Upperstructure Width mm (ft)	2,995(9.8)
H. Cab Height mm (ft)	3,278(10.8)
I. Track Width mm (in)	600(23.6)
J. Gauge Width mm (ft)	2,390(7.8)
K. Overall Width with Triple Semi-Grouser 600 mm (24 in) Shoes mm (ft)	3,190(10.5)

ATTACHMENTS

Rhino excavators come standard with the hydraulic line for attachments. Attachments include hydraulic hammers, thumb cutters, and many more.

Rhino Hydraulic Hammer Match: 2735EX



Rhino Excavators can come with different types of buckets depending on work requirements

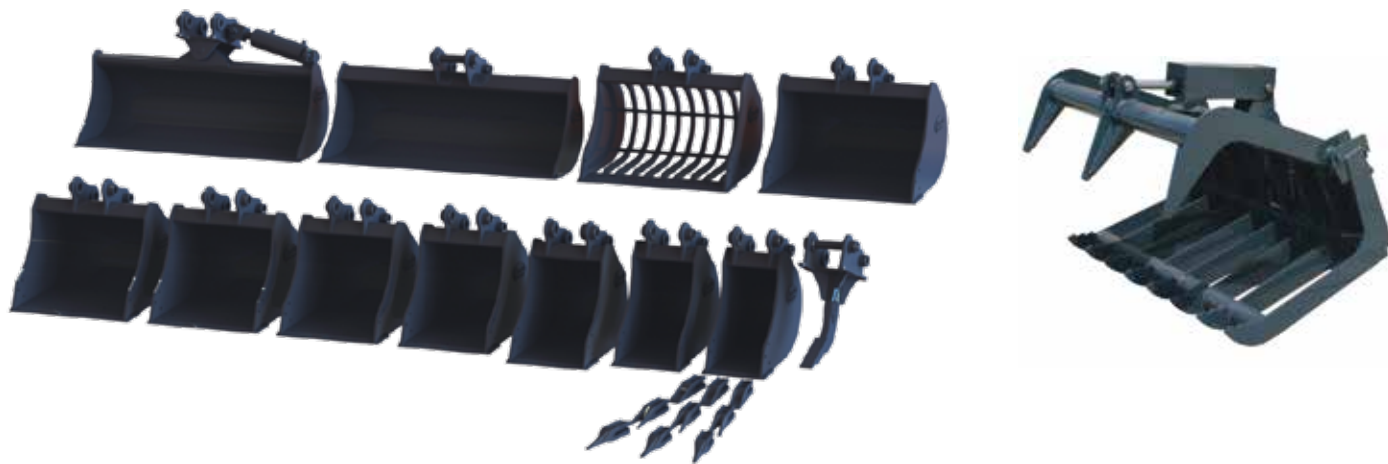
Equipment specifications and images may change without notice from Rhino Equipment Group Inc.

OPTIONS

Rhino Excavators can come with different options like: Tier2, Tier3, Tier4 Engine, Close cab, Rock bucket, Trench bucket, Thumb cutters, and many more according to work requirements.

ATTACHMENTS

Rhino Excavators come standard with the hydraulic line for attachments.



Many options buckets



Hydraulic hammers



Trenchers



Augers

and many more...

Equipment specifications and images may change without notice from Rhino Equipment Group Inc.