

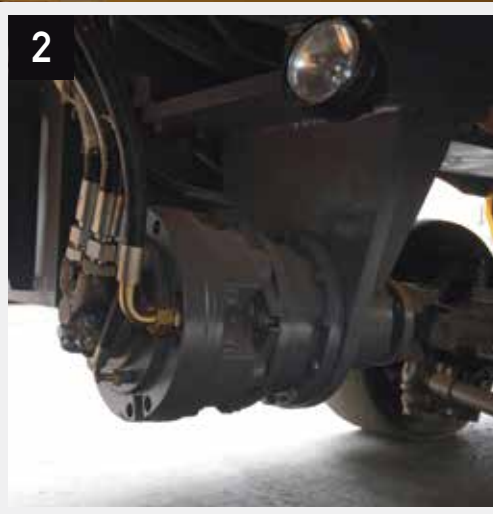


RCP1300W

COLD PLANER



Adopting mechatronics design for automation



1. Independent elevating control of left and right wheels for quick adjustment of milling depth and curb milling. Easy access doors provide convenient access for the operator to change tools for asphalt or concrete milling.

2. Full hydraulic travel and braking systems provide immediate response for effectiveness and safety. The hydrostatic closed loop system gives excellent power to weight ratios.

3. Rhino engine provides excellent power, reliability, and efficiency in adverse working conditions. Conveniently placed filters allow for easy maintenance.

Milling drums and tools are optimized to work efficiently and tackle any job effectively. Easy access doors provide convenient access to operator for drum maintenance and tool replacements.

POWER TRAIN

Engine Make / Model	Rhino SC8D190G2B1
Net Power kW (Hp) @ 2,200 rpm	140(188)
Displacement L (cu. In)	8.3(506)
Emission Rating (optional)	Tier 2 (Tier 3, Tier 4)
Fuel System	Direct Injection
Lubrication	Full-flow spin-on filter
Aspiration	Turbocharged
Air Cleaner	Under-hood, dual element dry type
Fan Drive	Belt driven
Electrical System	24 Volts with 70 Amp alternator, 120 Ah

TRAVEL SPEEDS

Max. Travel Speed kmh (mph)	13.0(8)
Drive Type	Wheels
Tire Diameter Front mm (in)	660(26)

ROTOR Tools are mounted on quick couplers for easy replacement,
Quick access panels provide easy maintenance for operator

Drive System	Hydraulically activated by operator, Heavy-Duty clutches mounted directly to the engine
Milling Speed m/min (in/min)	15(591)
Number of tools	110
Cutting Width mm (in)	1,300(51)
Cutting Depth mm (in)	120(4.7)
Rotor Diameter mm (in)	720(28)
Tool Spacing (tip) mm (in)	15(0.6)
Speed @2,200 rpm	116 rpm

CONVEYOR SYSTEM

Type	Hydraulically driven for maximum productivity
Width mm (in)	450(18)
Max. Feeding Height mm (ft)	3,500(11)
Swing	30 degrees (15 degrees each side)

STEERING Full-hydraulic assistance, Controls on operator's cab

Min. Turning Radius mm (ft)	6,750(22)
-----------------------------	-----------

WATER SPRAY SYSTEM Pressurized water spray system ensures dust control and belt lubrication,
Flat pattern spray provides better cleaning performance

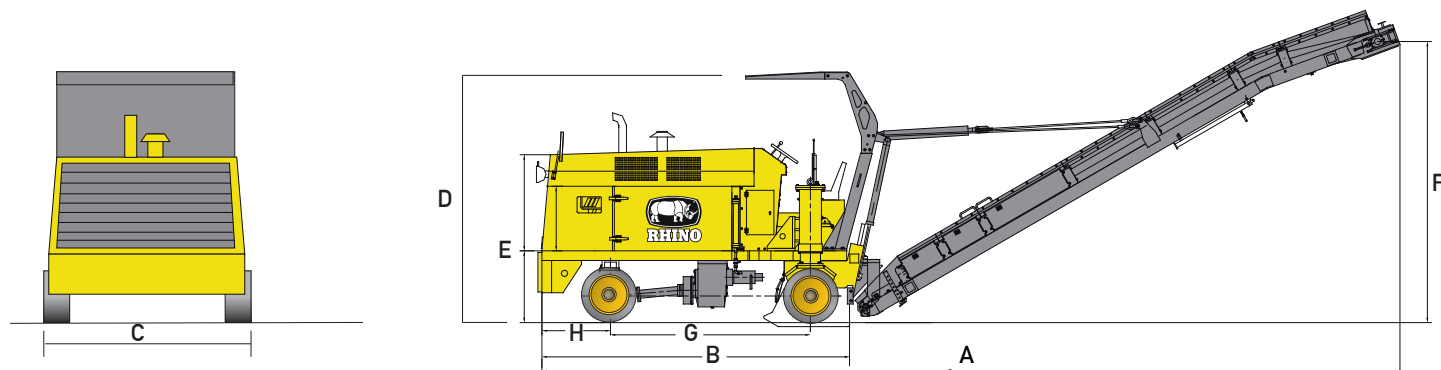
HYDRAULIC SYSTEM

Pump Type	Gear Pump, Constant displacement
System Pressure Mpa (psi)	35(5,076)

BRAKES

Service Brake	Hydrostatic closed-loop system provides dynamic braking
Parking Brake	Manually activated, Drum mounted on transmission output shaft

REFILL CAPACITIES L (gal)	
Fuel Tank	240(63)
Coolant	20(5)
Engine Oil	18(5)
Water Tank	350(92)
Hydraulic Tank	300(79)



DIMENSIONS

A. Overall Length with Conveyor Up mm (ft)	10,642(34.9)
B. Length Without Conveyor mm (ft)	3,815(12.5)
C. Overall Width mm (ft)	2,325(7.6)
D. Max. Height Canopy Raised mm (ft)	3,100(10.2)
E. Min. Height No Canopy mm (ft)	2,650(8.7)
F. Max. Truck Clearance mm (ft)	3,500(11.5)
G. Wheelbase mm (ft)	2,480(8.1)
H. Front Wheel to Front of Machine mm (ft)	850(2.8)

Shipping Dimensions

Base Machine Length mm (ft)	5,100(16.7)
Base Machine Width mm (ft)	2,430(8.0)
Base Machine Height mm (ft)	3,100(10.2)
Conveyor Length mm (ft)	7,535(24.7)
Conveyor Width mm (ft)	1,000(3.3)
Conveyor Height mm (ft)	780(2.6)

OPERATING WEIGHT

Machine Weight kg (lbs)	15,800(34,833)
-------------------------	----------------

OPTIONS:

Automatic Leveling, 4 Wheel Drive, Fine Milling Rotor, 1,100 mm (43.3 in) Milling Rotor, 1,200 mm (47.2 in) Milling Rotor, Power Milling Rotor, Tier 3, Tier 4 Engine.

Cold Planer operating information is based on machine with identified linkage and standard equipment, standard tires, full fuel tank, and 79-kg (175 lb.) operator. This information is affected by changes in rotor types and different attachments.