



**RBH65**

**BACKHOE LOADER**



# Shift productivity into a higher gear.

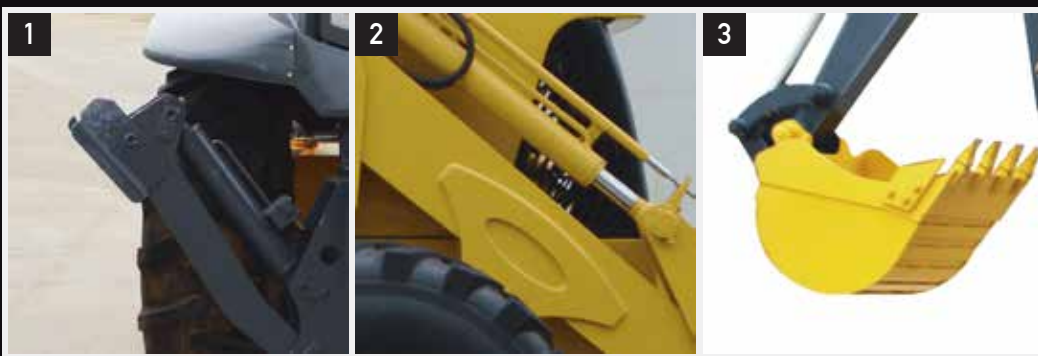


Whether you're digging, trenching, back-filling or handling material, we have a Rhino Backhoe Loader to meet your needs. Rhino Backhoe Loaders set the industry standard for operator comfort, exceptional performance, versatility and jobsite efficiency.

1. The ergonomic, automotive style operator station helps you work comfortably and productively all day long.
2. Ergonomic excavator-style joystick controls provide precise control with low effort.
3. The operation smooth in all conditions, including load and carry, highway roading or simply moving around the job site.



# Maximize versatility, end to end.



The Cummins engine provides cleaner, quieter operation while delivering superior performance and durability. The Loader boom design provides superior reach, enabling to easily dump to the center of most trucks, for quick and efficient loading.

1. The closed center hydraulic system matches pressure and flow to the job demands.

2. Rhino cylinders offer superior strength and dent resistance deliver longer component life and reduced risk of system contamination. Rhino Cylinders and Rods are designed to allow for a variety of service / repair options.

3. Increase the versatility of your machine with the large selection of backhoe attachments.

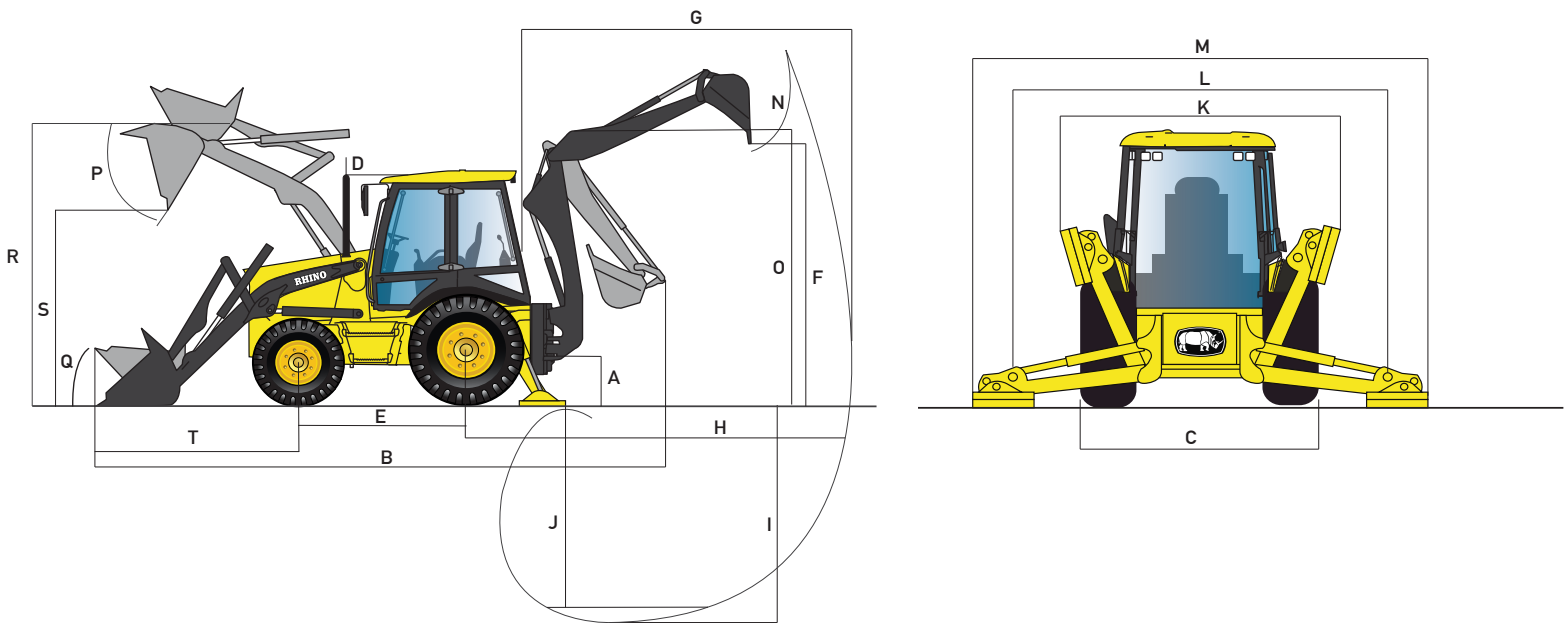
<b>ENGINE</b>		
Emission Rating (optional)	Tier 2 (Tier 3, Tier4)	
Engine / Optional	Cummins 4BT3.9 / 4BT4.5 / 3B.3	
Displacement L (cu. In)	3.9(238)	
Net Power kW (Hp) @ 2,200 rpm	74(99) / 60(80) / 60(80)	
Net Peak Torque Nm (ft-lb) @ 1,500 rpm	360(266)	
Net Torque Rise	39%	
Lubrication	Full-flow with spin-on filter	
Air Cleaner	Dual-stage dry type with evacuator valve and restriction indicator on filter housing for service	
<b>COOLING</b>		
Fan Type	Belt driven	
<b>POWERTRAIN</b>		
Transmission	4 speed Carraro powershift transmission with electric clutch on gear lever; electric clutch coutout switch on loader control	
Torque Converter	Single stage, dual phase	
Max. Travel Speeds with 19.5L-24 Rear Tires	Forward	Reverse
1st Gear km/h (mph)	6(3.6)	6(3.7)
2nd Gear km/h (mph)	12(7.5)	12(7.5)
3rd Gear km/h (mph)	14.5(9.0)	14.5(9.0)
4th Gear km/h (mph)	29(18)	29(18)
<b>Axles</b>		
Front Axle Oscillation, Stop to Stop	17 degrees	
Rear Axle	Fixed	
<b>Differentials</b>		
Fron Axle	Oscillating, electronically engaged for 4-Wheel-Drive	
Rear Axle	Foot actuated, hydraulically engaged with differential lock control on loader lever	
Steering	Hidrostatic power steering	
<b>Bucket Clearance Circle</b>		
with 2WD mm (ft)	5,000(16.4)	
with 4WD mm (ft)	5,450(17.9)	
<b>Curb-Turning Radius</b>		
with 2WD mm (ft)	3,545(11.6)	
with 4WD mm (ft)	4,125(13.5)	
Steering Wheel Turns (lock to lock)	2.7 turns	

Equipment specifications and images may change without notice from Rhino Equipment Group Inc.

Front Wheels Turning Angle	55 degrees
Final Drive, Front Wheel and Rear Axle	Spiral bevel gear, single stage planetary reduction
<b>Brakes</b>	
Service	Self -adjusting, hydraulic wet disc; each side is independently actuated from the cab
Parking	Manually actuated lever, hydraulic wet disc, self adjusting
<b>HYDRAULICS</b>	
Main Pump	Open center, gear pump
Max. Flow Rate L/min (gpm)	45(12)
System Pressure Mpa (psi)	20(2,901)
<b>Controls</b>	
Loader	Single-joystick control with differential lock switch
Backhoe	Two-joystick control for boom, arm, bucket and swing motions
Stabilizers	Two-lever control
Accessories	Lever control
<b>CYLINDERS</b>	
Type	Heat-treated, chrome-plated, polished rods; hardened steel pivot pins with replaceable bushings
	Bore mm (in)      Rod Diameter mm (in)      Stroke mm (in)
Loader Boom (2)	90(3.5)      45(1.8)      770(30.3)
Loader Bucket (2)	95(3.7)      40(1.6)      550(21.7)
Backhoe Boom (1)	140(5.5)      55(2.2)      970(38.2)
Backhoe Arm (1)	130(5.1)      55(2.2)      740(29.1)
Backhoe Bucket (1)	100(3.9)      55(2.2)      850(33.5)
Backhoe Swing (2)	115(4.5)      50(2.0)      330(13.0)
Backhoe Stabilizer (2)	115(4.5)      50(2.0)      535(21.1)
<b>ELECTRICAL</b>	
Voltage	12
Alternator Amps	95
Lights	4 front, 4 rear, 2 front turn signals, 2 rear turn signals with back-up lights
<b>OPERATOR STATION</b>	
Type	Canopy, isolation mounted, ROPS/FOPS, left and right access, A/C, rear and door windows can be opened
<b>TIRES/WHEELS</b>	
Front Axle	12-16.5 8ply
Rear Axle	19.5L-24 12ply
<b>REFILL CAPACITIES L (Gal)</b>	
Cooling System	13(3)
Rear Axle	14(4)
Engine Oil	10(3)
Transmission	19(5)
Fuel Tank	125(33)
Hydraulic System	132(35)

OVERALL DIMENSIONS	
A. Min. Ground Clearance mm (in)	300(11.8)
B. Overall Transport Length mm (ft)	7,400(24.3)
C. Width Over Tires mm (ft)	2,170(7.1)
D. Height to Top of Cab mm (ft)	2,500(8.2)
E. Wheelbase mm (ft)	2,110(6.9)
Backhoe to the Side Length mm (ft)	7,000 (23.0)
BACKHOE DIMENSIONS/PERFORMANCE	
Backhoe Bucket 0.3 m <sup>3</sup> (0.4 cu. Yd) Backhoe Bucket Range 305 - 813 mm (12 - 32 in)	
Swing Arc	180 degrees
Operator Control	2 Joysticks
Stabilizer Angle Rearward	18 degrees
F. Loading Height mm (ft)	4,250(13.9)
G. Reach from Center of Swing Pivot mm (ft)	5,250(17.2)
H. Reach from Center of Rear Axle mm (ft)	5,367(17.6)
I. Max. Digging Depth	3,800(12.5)
J. Digging Depth 610 mm (2 ft) Flat Bottom mm (ft)	3,760(12.3)
K. Stabilizer Width, Transport mm (ft)	2,220(7.3)
L. Stabilizer Spread, Operating mm (ft)	3,570(11.7)
M. Stabilizer Overall Width, Operating mm (ft)	3,470(11.4)
N. Bucket Rotation	170 degrees
O. Transport Height mm (ft)	2,950(9.7)
LOADER DIMENSIONS/PERFORMANCE	
P. Max. Bucket Dump Angle	45 degrees
Q. Rollback Angle at Ground Level	30 degrees
Standard Bucket Capacity m <sup>3</sup> (cu. Yd)	1.0(1.3)
Width mm (in)	2,315(91.1)
Weight kg (lb)	786(1,733)
Lift Capacity, Full Height kg (lb)	2,600(5,732)
R. Max. Height to Bucket Hinge Pin mm (ft)	3,300(10.8)
S. Dump Clearance, Bucket at 45 degrees mm (ft)	2,550(8.4)
T. Length from Front Axle Centerline to Bucket Teeth mm (ft)	2,000(6.6)
<b>OPERATING WEIGHTS With Full Fuel Tank, 79 kg (175 lb) Operator, and Standard Equipment</b>	<b>7,000(15,432)</b>

Equipment specifications and images may change without notice from Rhino Equipment Group Inc.



## OPTIONS

- Front auxiliary hydraulic line for accessories
- Brooms
- 4 in 1 Bucket
- Foklift Forks
- Hydraulic Hammer RH47BE
- Quick Coupler for excavator or loader
- Thumb for Buckets
- Shears
- Extendible Arm
- Joystick Controls
- Loader Bucket Blade
- Tier 3, Tier 4 engine

Rhino backhoes come standard with the hydraulic line for attachments. Attachments include hydraulic hammers, thumb cutters, and many more.

Rhino Hydraulic Hammer Match: 47BE

Rhino Backhoes can come with several options:

Clam Loader Buckets, 4 in 1 Bucket, Backhoe Bucket Range 305 - 813 mm (12 - 32 in), Loader Bucket Range 0.8 m<sup>3</sup> to 1.0 m<sup>3</sup> (1.0 cu. Yd to 1.3 cu. Yd) Backhoe Tele-Arm (Extendible Arm), And many more options depending on client requirements.