

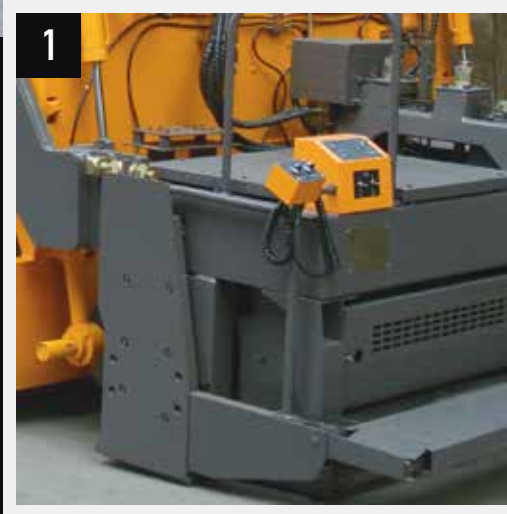


RAP45W

ASPHALT PAVER



Versatile Screed Configurations Optimize Job Site Performance.



1. The paver has good weight distribution over its ground contact area to provide maximum traction and paver stability. Weight and traction balanced with engine power delivers optimum paving performance.

2. Equipped with Deutz engines, the hydraulic extension screed and/or mechanical screed for different road-width paving are equipped with two longitudinal and one transverse automatic levelling probes to meet the high demands of achieving high-grade road smoothness.

3. The Rhino Asphalt Paver with Electronic Control Hydrostatic Sensor are all integrated with advanced components. These pavers are highly adaptable, user friendly, and efficient; suitable for paving highways, or any type of project.

OPERATING WEIGHT

Max. Machine Weight Kg (lb)	11,000(24,251)
-----------------------------	----------------

POWER TRAIN

Engine Make / Model	Rhino 4JR3AG7
---------------------	---------------

Net Power kW (Hp) @ 2,300 rpm	55(74)
-------------------------------	--------

Displacement L (cu. In)	3.0(183)
-------------------------	----------

Emission Rating (optional)	Tier 2 (Tier 3, Tier 4)
----------------------------	-------------------------

Fuel System	Direct Injection
-------------	------------------

Lubrication	Full-flow spin-on filter
-------------	--------------------------

Aspiration	Turbocharged
------------	--------------

Air Cleaner	Under-hood, dual element dry type
-------------	-----------------------------------

Fan Drive	Belt driven
-----------	-------------

Electrical System	12 Volts with 70 Amp alternator
-------------------	---------------------------------

PAVER

Min. Paving Width mm (ft)	2,500(8)
---------------------------	----------

Max. Paving Width mm (ft)	4,500(15)
---------------------------	-----------

Max. Paving Depth mm (in)	250(10)
---------------------------	---------

Max. Paving Speed m/min (yd/min)	9.0(10)
----------------------------------	---------

High Travel Speed kmh (mph)	16.7(10)
-----------------------------	----------

Drive Type	Wheels
------------	--------

Number of Tires Front / Rear / Type	2 / 4 / 13R22.5
-------------------------------------	-----------------

Brakes	Dynamic Hydrostatic Braking
--------	-----------------------------

Theoretical Productivity t/h (US ton/h)	220(243)
---	----------

SPREADING AUGER SECTIONS	Twin Screws
---------------------------------	--------------------

Twin Screws Diameter mm (in)	340(13)
------------------------------	---------

HOPPER	Fully articulated, Hydraulic controls
---------------	--

Length mm (ft)	2,090(7)
----------------	----------

Width Closed mm (ft)	2,340(8)
----------------------	----------

Width Open mm (ft)	2,750(9)
--------------------	----------

Volume m3 (cu. Ft)	5.0(177)
--------------------	----------

Capacity Tons (lbs)	10(20,000)
---------------------	------------

Feeding Conveyors	Dual feeders, Independent control
-------------------	-----------------------------------

SCREED

Extension Mode	Hydraulic
----------------	-----------

Heating Mode	Fuel, Auto ignition
--------------	---------------------

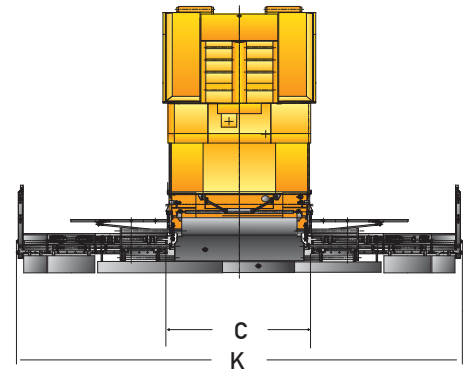
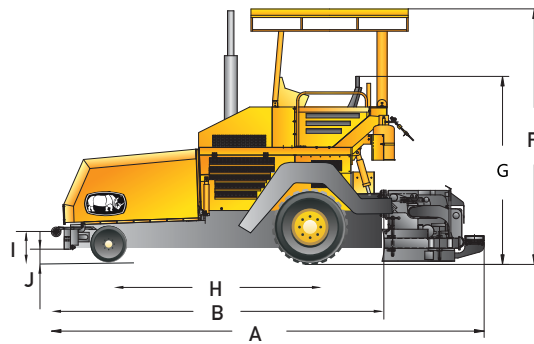
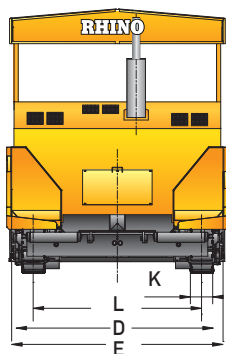
Vibration Frequency Hz (vpm)	50(3,000)
------------------------------	-----------

HYDRAULIC SYSTEM

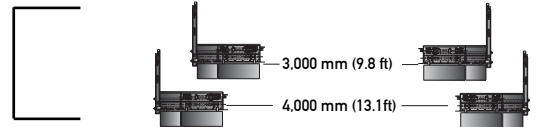
Pump Type	Axial piston pump, Variable displacement
-----------	--

Driving Type	Axial piston motors, Constant displacement
--------------	--

System Pressure Mpa (psi)	40(5,802)
REFILL CAPACITIES L (gal)	
Fuel Tank	143(38)
Coolant	11(3)
Engine Oil	15(4)
Hydraulic Tank	110(29)



Screed Extensions



DIMENSIONS

A. Overall Length with Standard Screed mm (ft)	5,850(19.2)
B. Overall Length without Standard Screed mm (ft)	4,940(16.2)
C. Screed Transport Width mm (ft)	2,500(8.2)
D. Transport Width Hopper Closed mm (ft)	2,500(8.2)
E. Transport Width Hopper Opened mm (ft)	2,750(9.0)
F. Max. Machine Height mm (ft)	3,100(10.2)
G. Transport Height mm (ft)	2,450(8.0)
H. Wheelbase mm (ft)	2,800(9.2)
I. Hopper Ground Clearance mm (in)	405(15.9)
J. Ground Clearance mm (in)	200(7.9)
K. Max Paving Width mm (ft)	4,500(15)

OPTIONS:

Infrared Heating Screed, Steel Tracks, Auto-Leveling, 4WD, Tier 3, Tier 4 Engine.

Paver operating information is based on machine with identified linkage and standard equipment, full fuel tank, and 79-kg (175 lb.) operator. This information is affected by changes in screed sizes, and different attachments.